

General Instructions

Safety



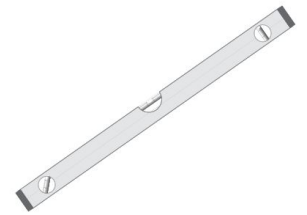
Tools



PH-2



3 mm

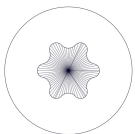


T20

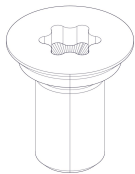


T25

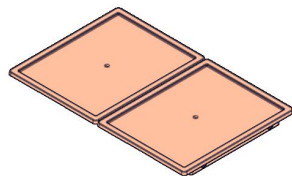
Components



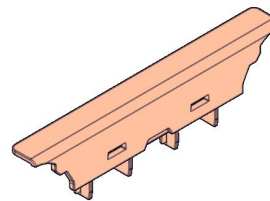
1,9 Nm
 $\pm 0,5$



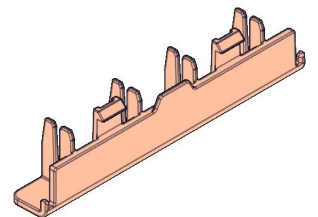
M5 x 10 (T25)



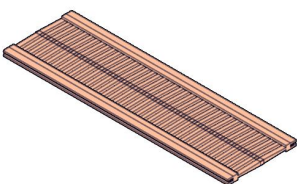
10046



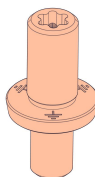
10048-000001



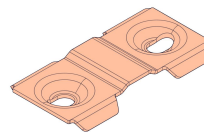
10048-000002



1004N



1007Y



101C9

Table of Contents

Product features	5
Unpack and Handling	6
Castors	7
leveling feet options	9
Roof accessories	11
Baying of cabinets	18
Earth central connection	22
Side panel	24
Door	26
Moving VMR	46
Additional data	51



ATTENTION

- 1.Improper use of this product may lead to serious injury.
Read and understand all instructions for proper installation and use of this product.**
- 2.Wear proper safety equipment to prevent injuries.**
- 3.Do not attempt to unload or move the cabinets by yourself. Make sure to have sufficient amount of personnel and equipment to safely move this product.**
- 4.Take caution when moving the cabinets with casters. There is a possibility of tilting. Always move cabinet over smooth floor surfaces and short distance only. Cabinet should only be moved by pushing on the front or rear of the cabinet.
Do not push from the side.
When moving 600x100x52U cabinet - Add 250lbs to lower half before moving.
When moving 800x1200x52U cabinet - Add 200lbs to lower half before moving.**
- 5.Cabinet casters are not intended to support the cabinet loads for extended periods of time.
Max load on castors 200kg / 440lbs.**
- 6.Always use levelers to stabilize the cabinet after positioning.
Max load on levelers - 1588kg / 3500lbs.**
- 7.Adjust the leveling feet to level and stabilize the cabinet before loading equipment in the cabinet.**
- 8.Load heavy equipment at the bottom of the cabinets first. To maintain cabinet stability, load 1/2 of the total equipment weight in the bottom 1/3 of the cabinet. Do not exceed maximum load capacity.**
- 9.Ensure that the floor has a structural load capacity that will support the weight of the cabinet loaded with equipment.**
- 10.Some parts of the racking system may not be effectively bonded to the Protective Earth Terminal (PET). If these parts need to be bonded to the PET it should be done in accordance with Article 250 of the National Electrical Code.**
- 11.Cabinet is intended for use in ambient temperatures of 0°C to 55°C.**
- 12.Minimum spacing between equipment and the cabinet shall be maintained in accordance with the National Electric Code, ANSI/NFPA 70.**
- 13.These units should be installed and repaired by personnel trained by the manufacturer, or returned to the manufacturer for repair or replacement**
- 14.All equipment installed in enclosure must have their own fire enclosure**

Product features

- **Cabinet Rack Space and Overall Heights:**
42U (78.74 inch / 2000mm)
47U (86.61 inch / 2200mm)
52U (98.43 inch / 2500mm)
- **Cabinet Widths:**
23.62 inch / 600mm
31.50 inch / 800mm
- **Cabinet Depths:**
39.37 inch / 1000mm
47.24 inch / 1200mm
- **Front Door:**
Full Width - Left or Right Hand Swing (field reversible)
- **Rear Door:**
Split
Full Width
- **Side Panel:**
Lockable, 2 panels per side (split horizontally).
1 piece screw mounted
Slide-in side panel
- **Top Panel:**
3 Parts: Left, Middle, Right with different Cut-outs
- **Vertical Mounting Rails:**
EIA-310 patterned 0.375 inch / 9.5mm square holes
EIA-310 patterned #12-24 threaded holes
- **Load ratings:**
UL Rating: 3,500 lbs / 1588kg static
- **Colors:**
Black
White

Unpacking and Handling

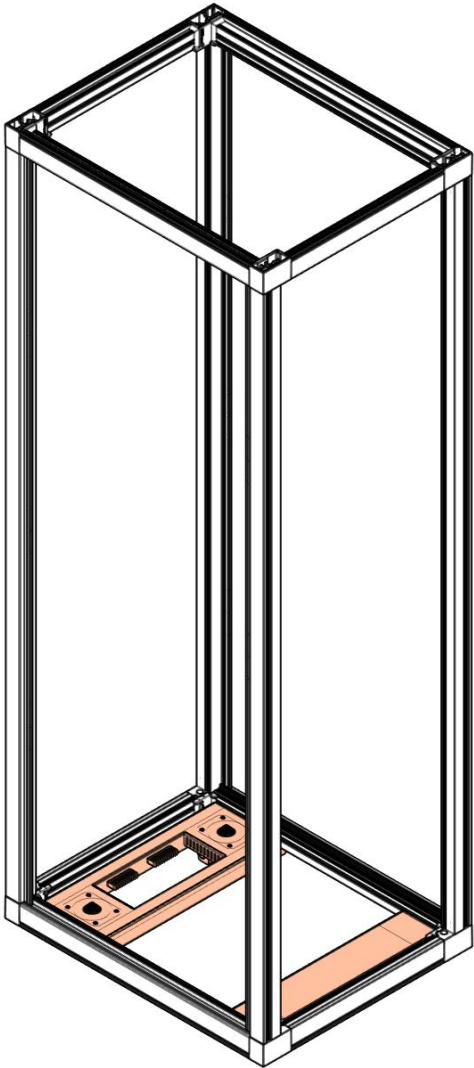
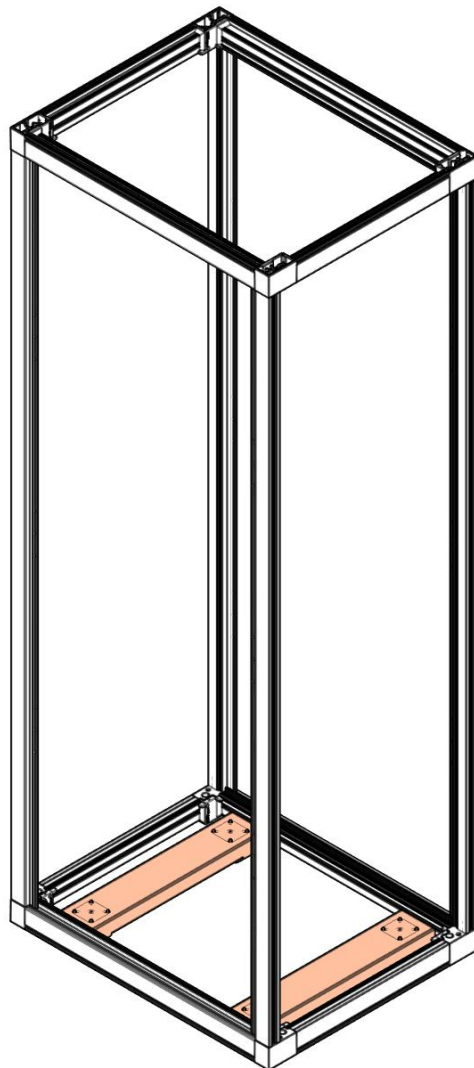
Delivery

- Check pallet and wrapping for signs of damage.
- If there are any signs of damage do not accept delivery and report it immediately!

Unpacking

- Using the utility knife, carefully cut and remove the plastic wrap surrounding the cabinet.
- Remove the four corner protectors and other honeycomb material.
- Inspect the cabinet and inside the cabinets to ensure all frame and accessory parts are securely fastened. Remove any items that were shipped inside the cabinets that are not installed on the frame.
- Remove the cabinet from the pallet.

Castors

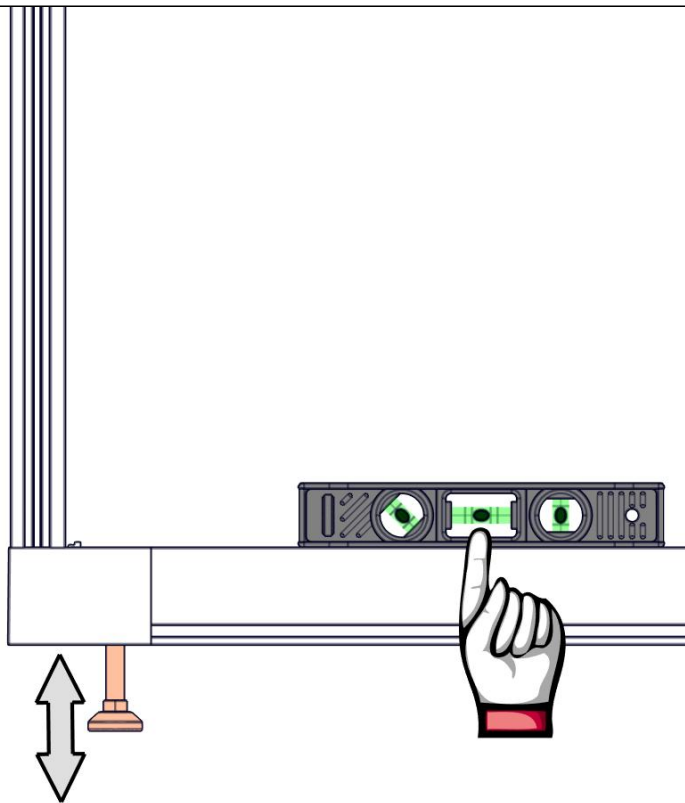
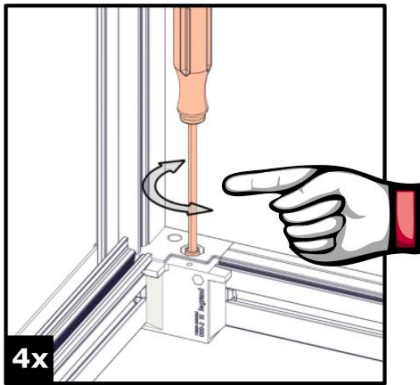
HDL**Standard**

**Castors may be used for temporary transport to a permanent location.
Transport is suitable with empty cabinets and cabinets loaded to 200kg / 440lbs.**

Levelling feet (next chapter) must be used for cabinet final placement.

Leveling feet options

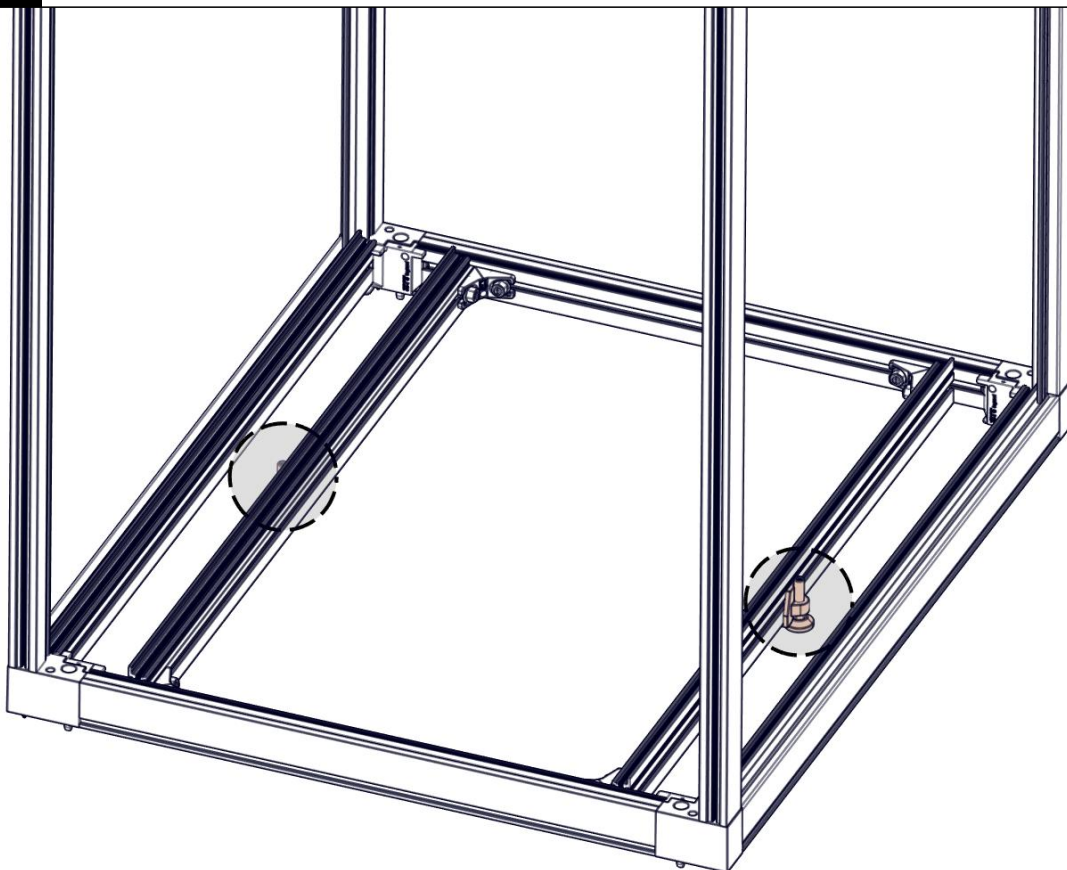
6.1



T25

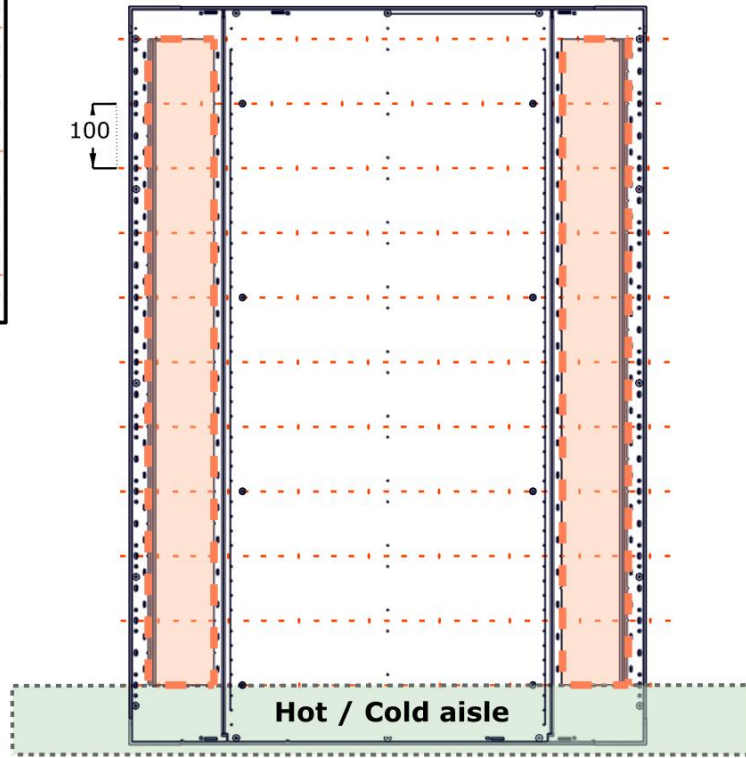
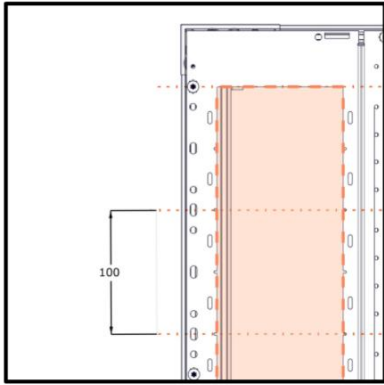
NI-000000-8/001070-0

7.1



NI-000000-8/001056-0

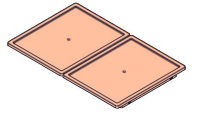
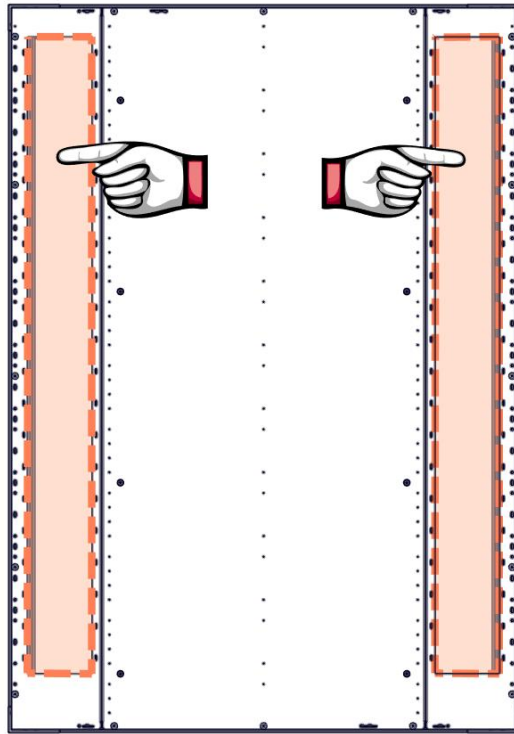
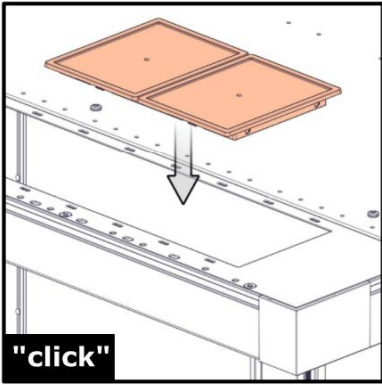
Roof accessories



NI-000000-8/001084-0

10.1

Blind 200mm cover

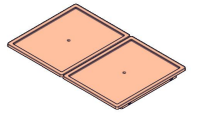
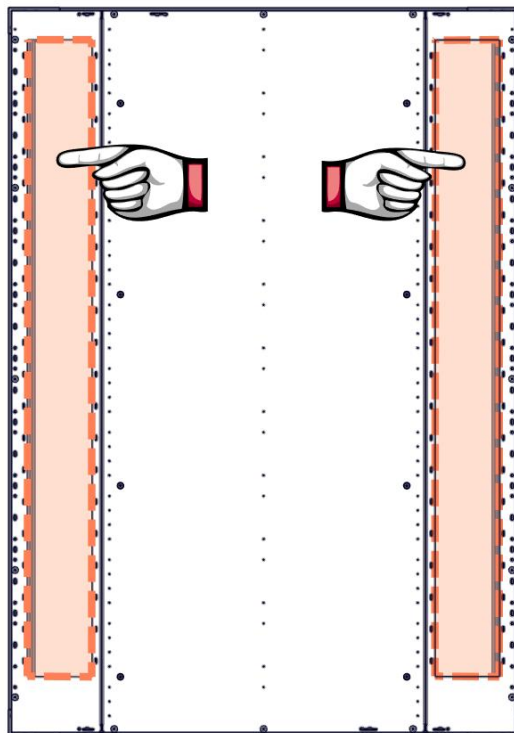
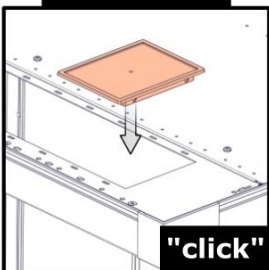
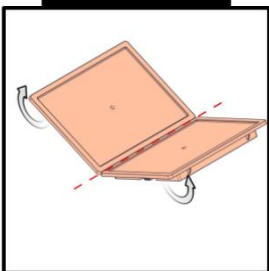
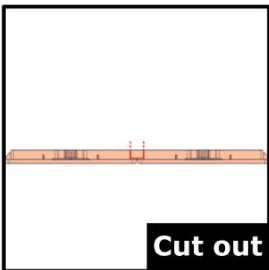


10046

NI-000000-8/001071-0

10.2

Blind 100mm cover



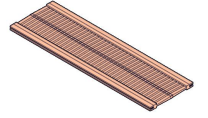
10046



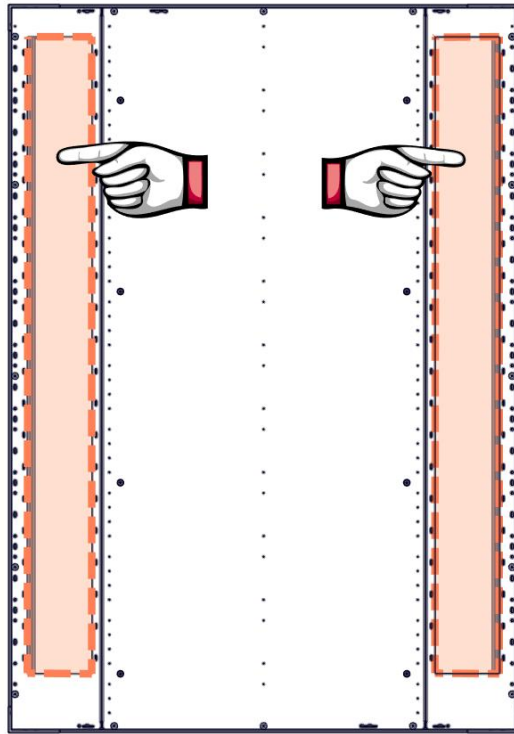
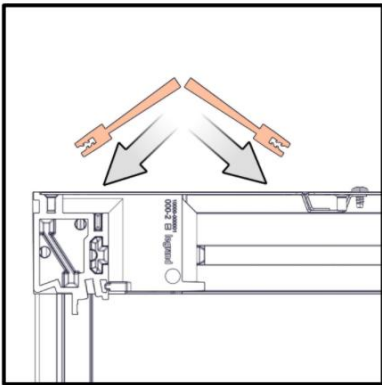
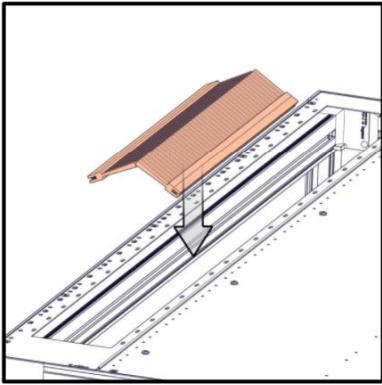
NI-000000-8/001071-0

11.1

Brush 200mm



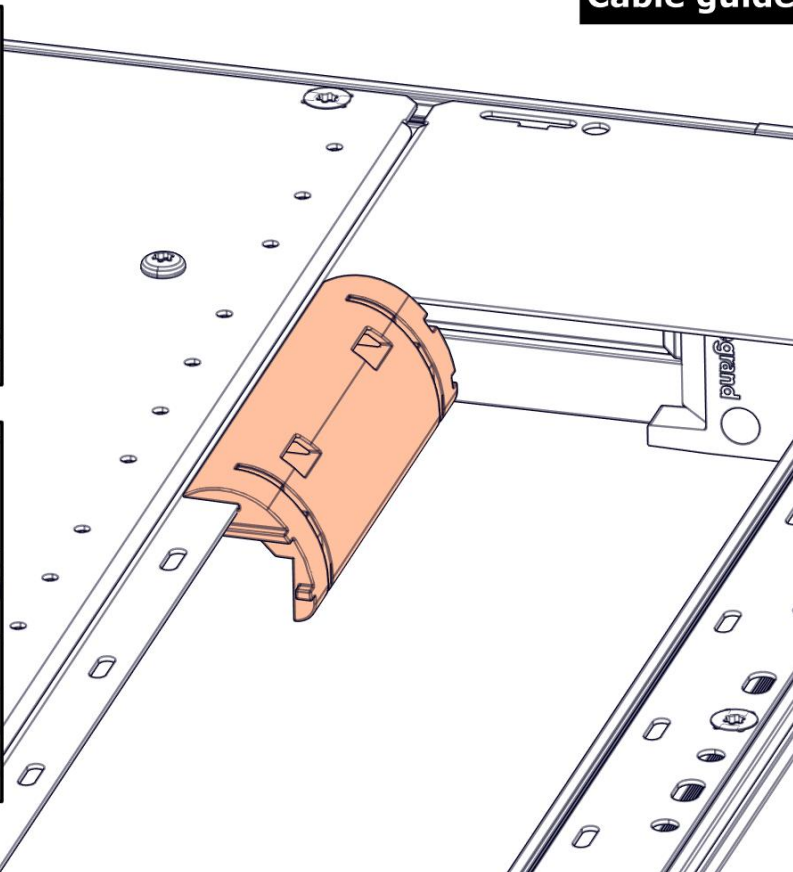
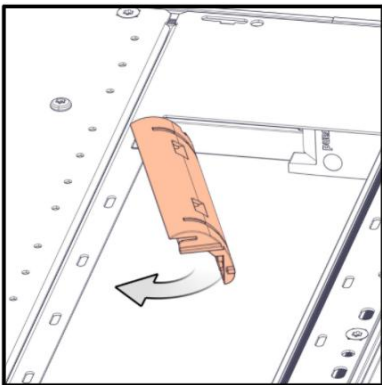
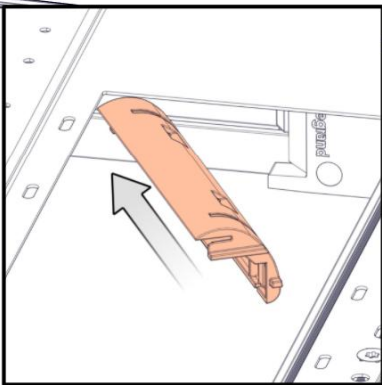
1004N



NI-000000-8/001073-0

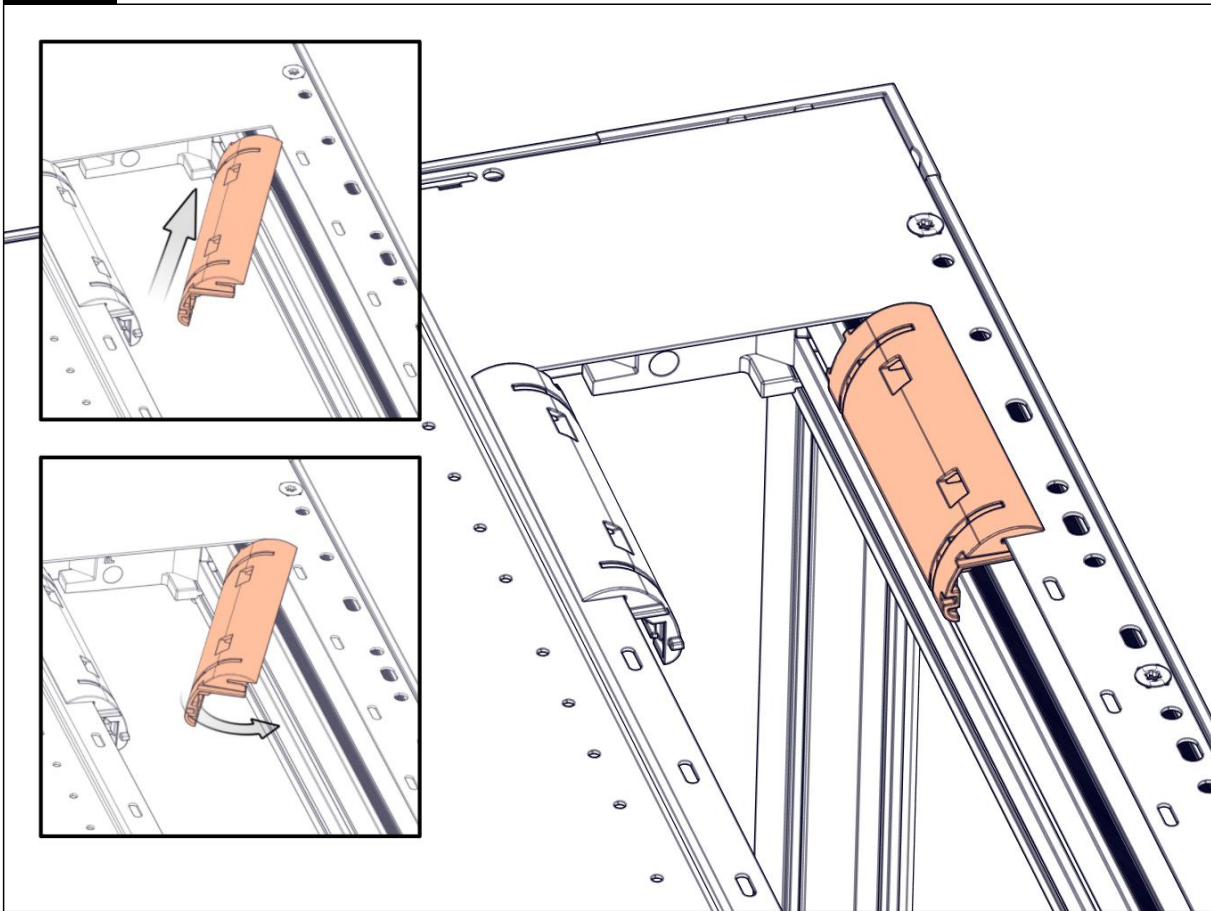
12.1

Cable guide



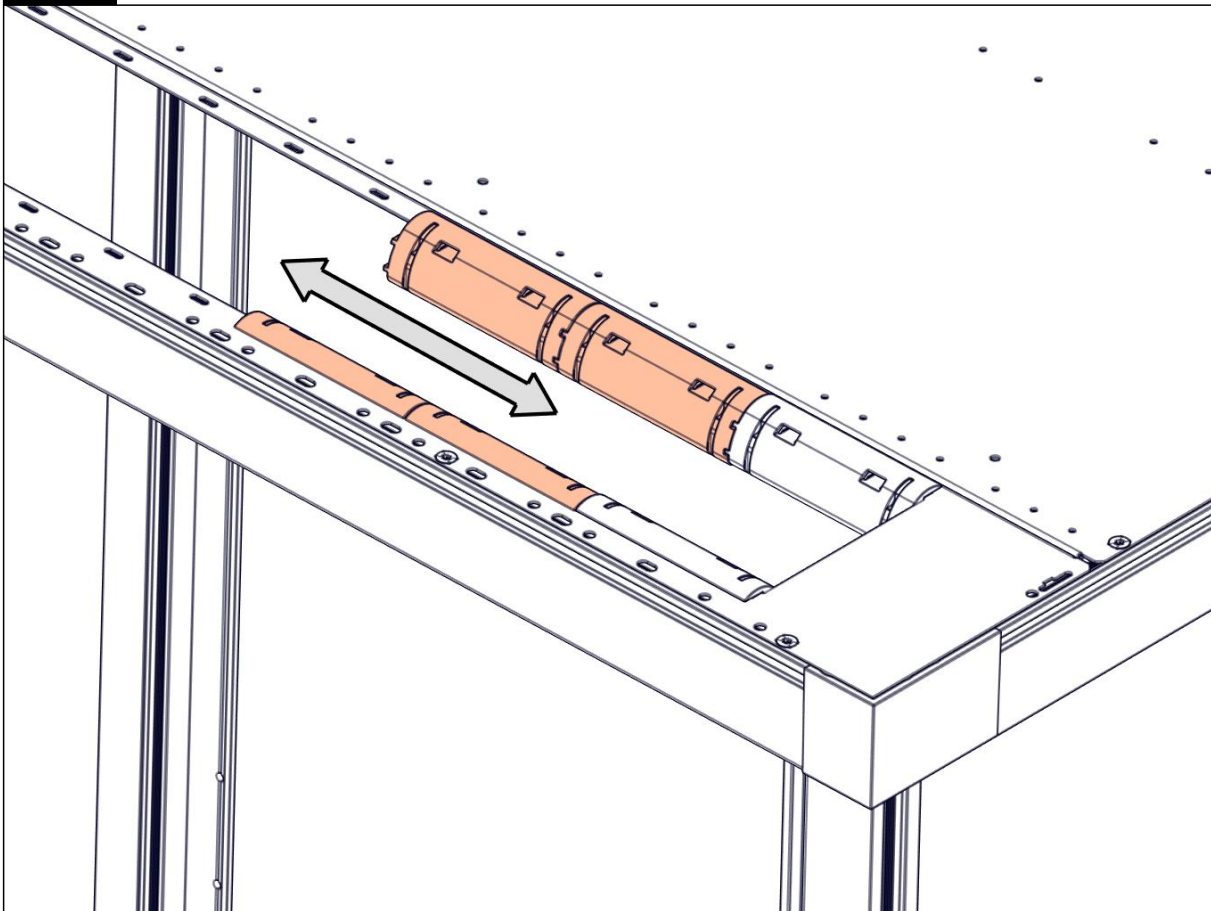
NI-000000-8/001074-0

12.2



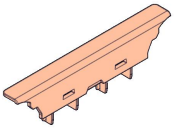
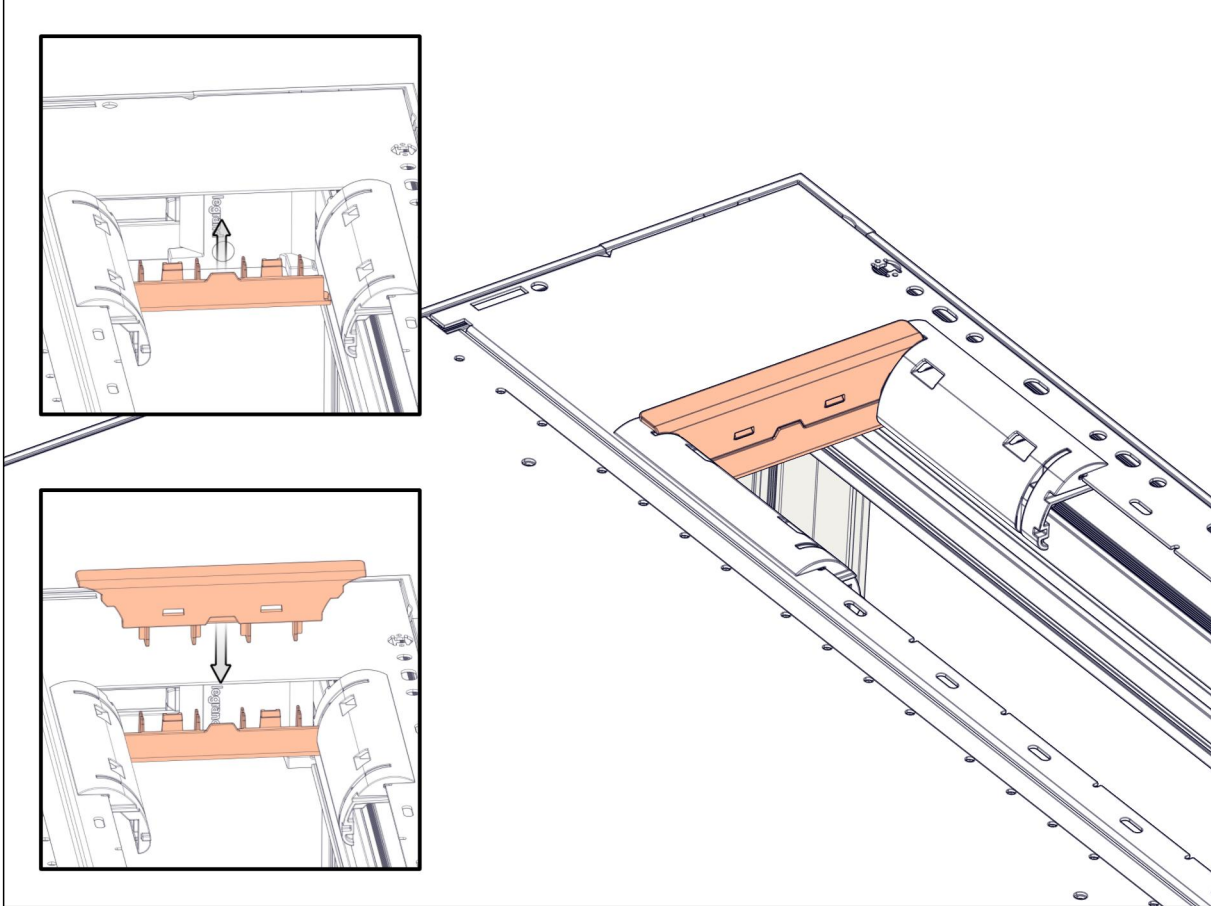
NI-000000-8/001074-0

12.3

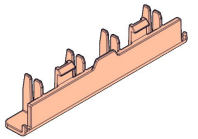


NI-000000-8/001074-0

13.1



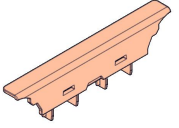
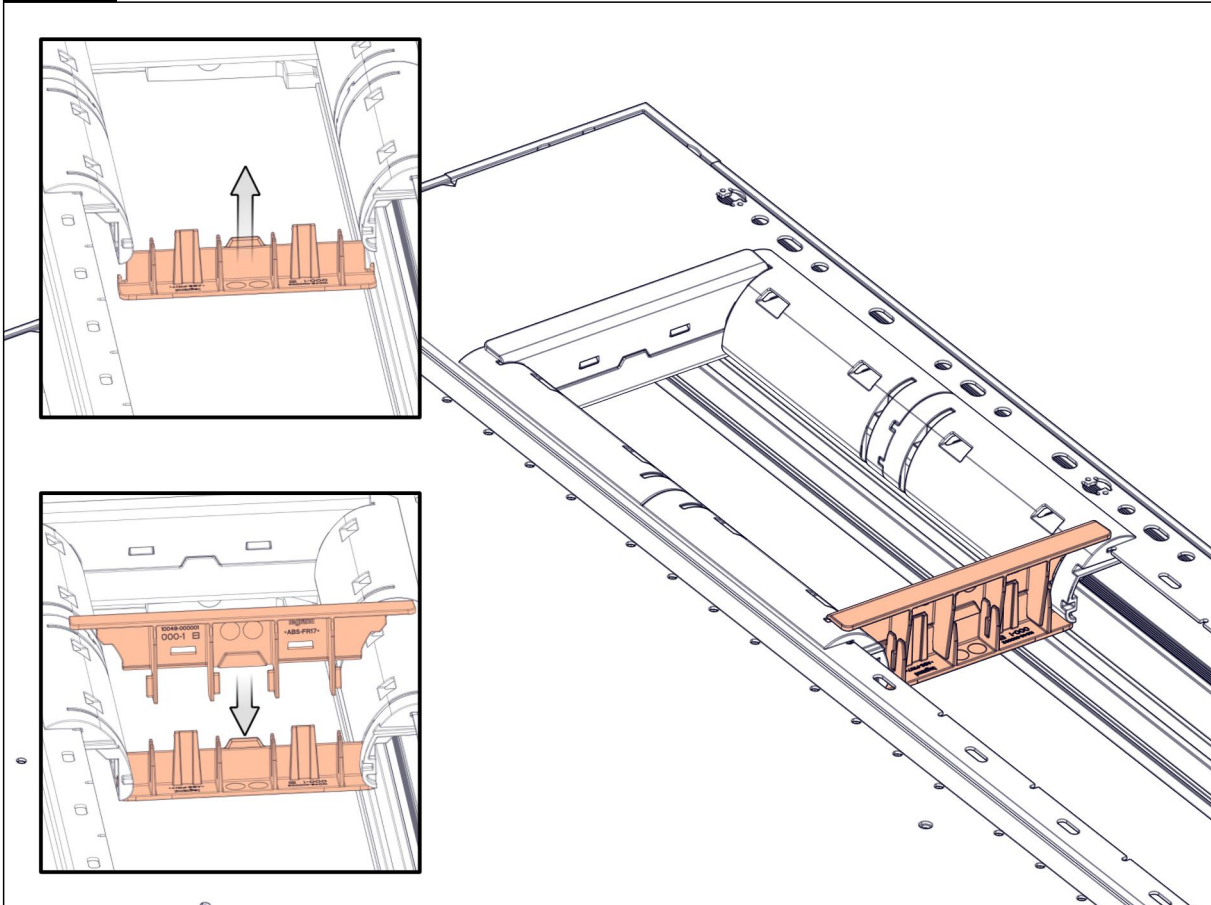
10048-000001



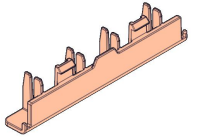
10048-000002

NI-000000-8/000910-0

13.2

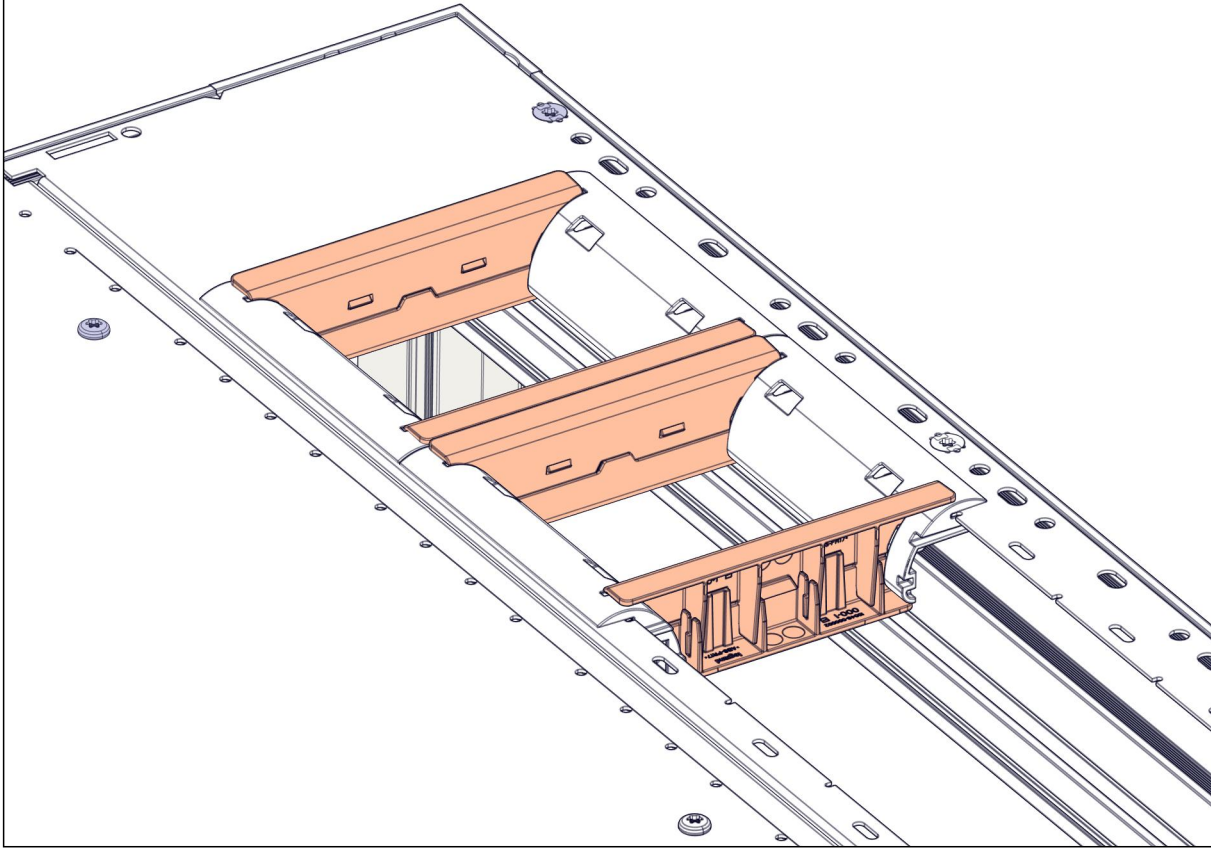


10048-000001



10048-000002

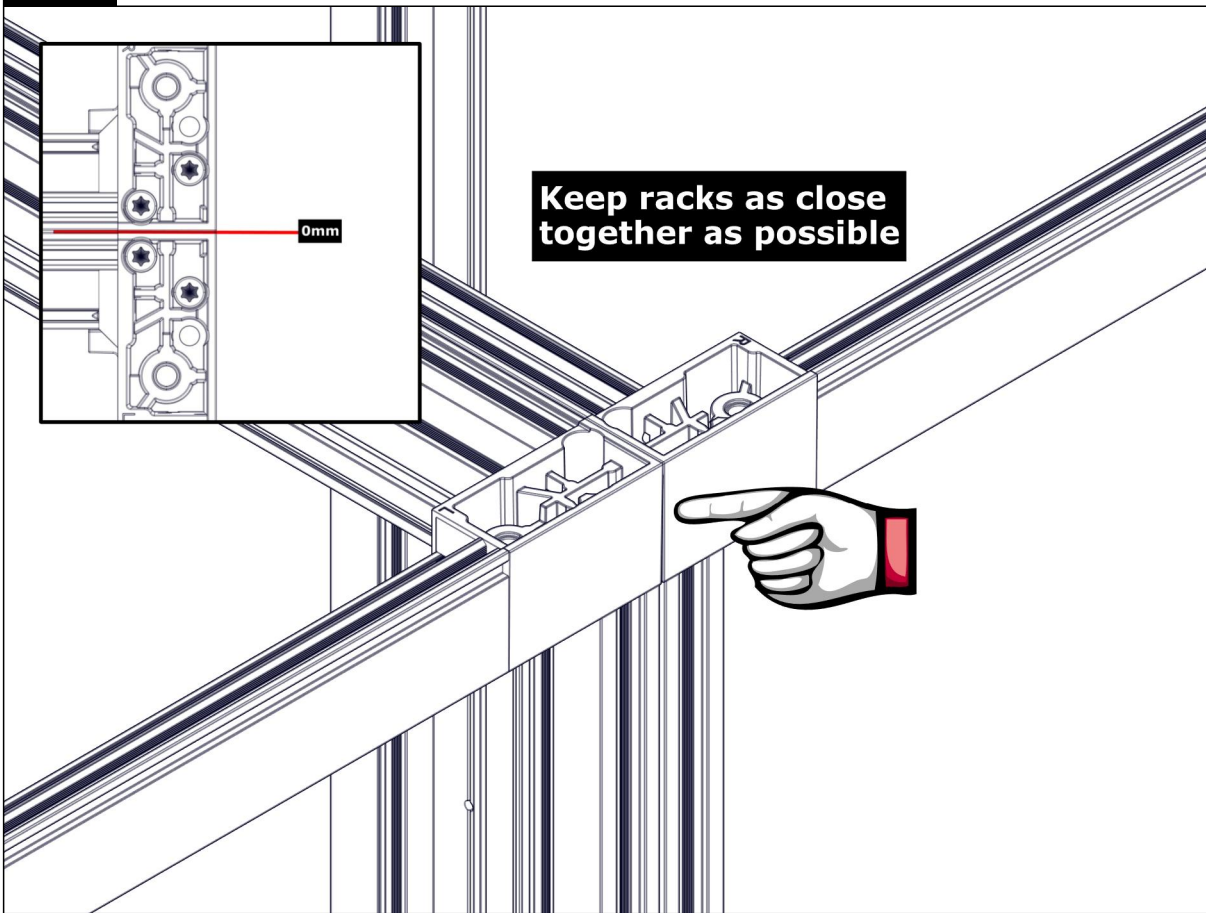
NI-000000-8/000910-0



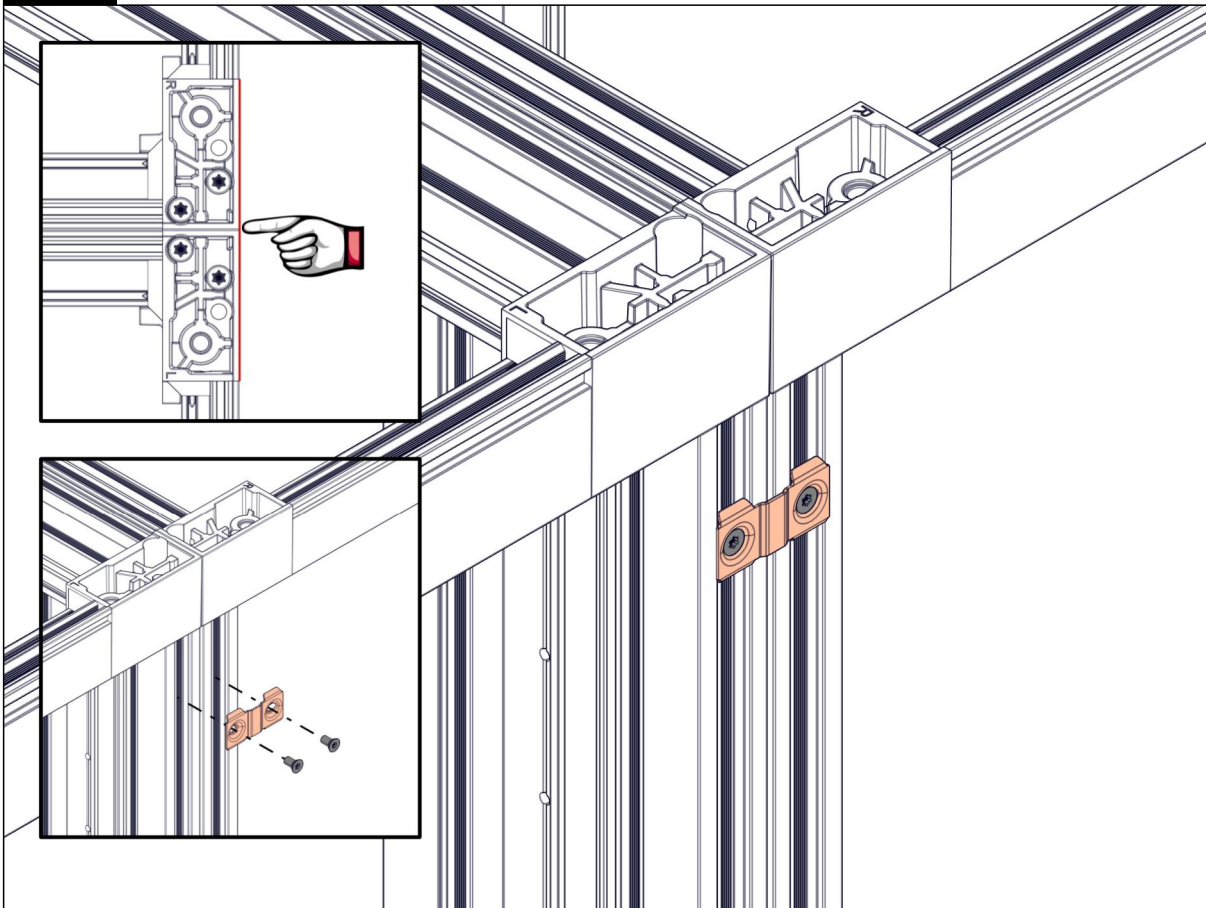
NI-000000-8/000910-0

Baying of cabinets

15.1



15.2



15.3

Top

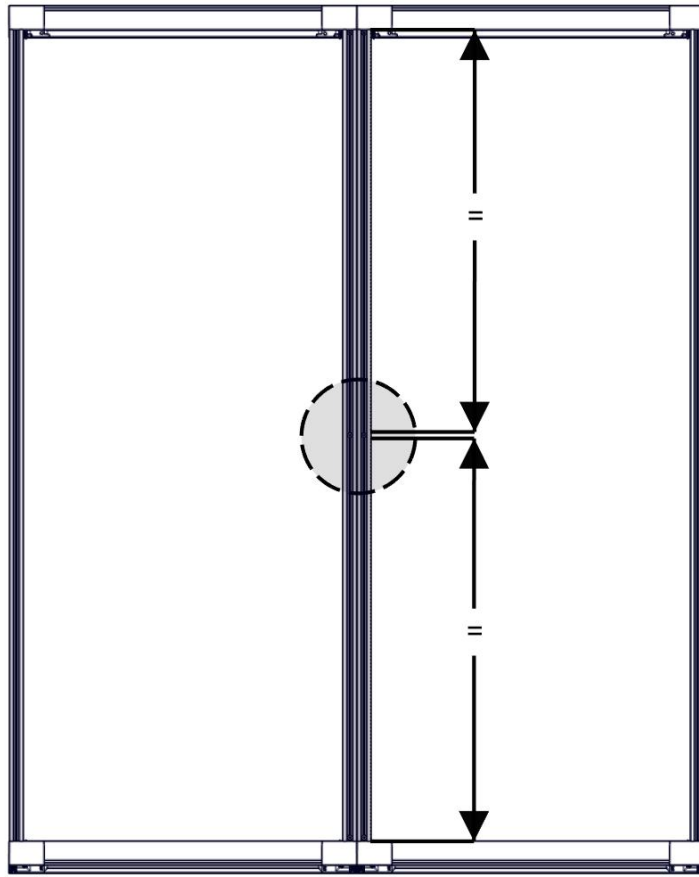
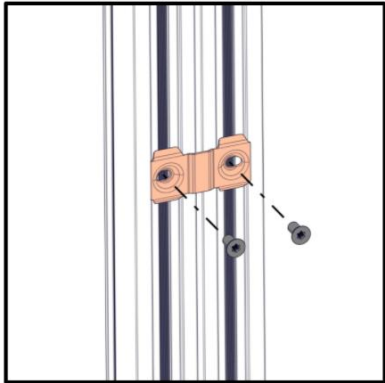
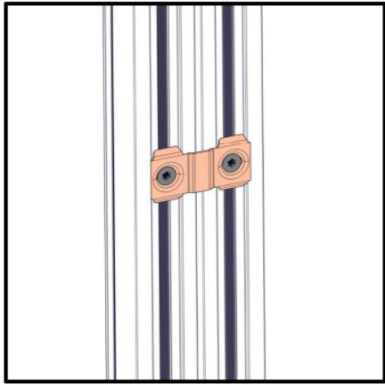
35mm

NI-000000-8/000936-7

15.4

Bottom

NI-000000-8/000936-7



NI-000000-8/000936-7

Earth central connection



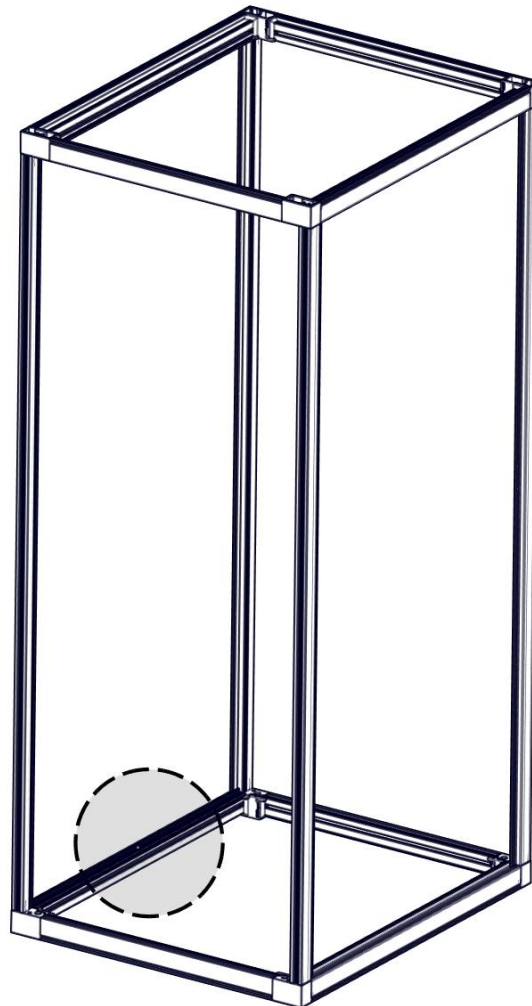
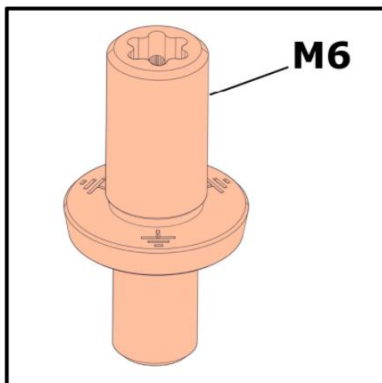
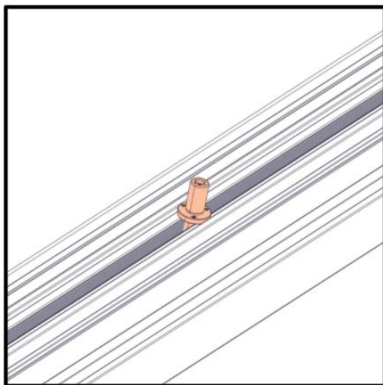
Grounding and Bonding

NOTE:

Nexpand Cabinet Frames and external accessories (Doors, Side Panels & Top Panels) are bonded in accordance with UL 2416.

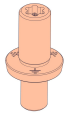
Proper installation of an equipment grounding terminal must be made, and the rack must be grounded in accordance with NFPA 70, National Electrical Code, and the applicable sections of ANSI C2, National Electrical Safety Code.

1. Secure the ground terminal lug to the rack.
2. Attach the main earth conductor to the terminal lug. Make sure the bonding conductors are properly crimped to the block or lug. The ground connector size must be in accordance with Article 250 of the National Electrical Code.



ATTENTION:

The following parts are not effectively bonded to the protective earthing terminal: Doors. If these parts need to be bonded to the protective earthing terminal it shall be done in accordance with Article 250 of the National Electrical Code



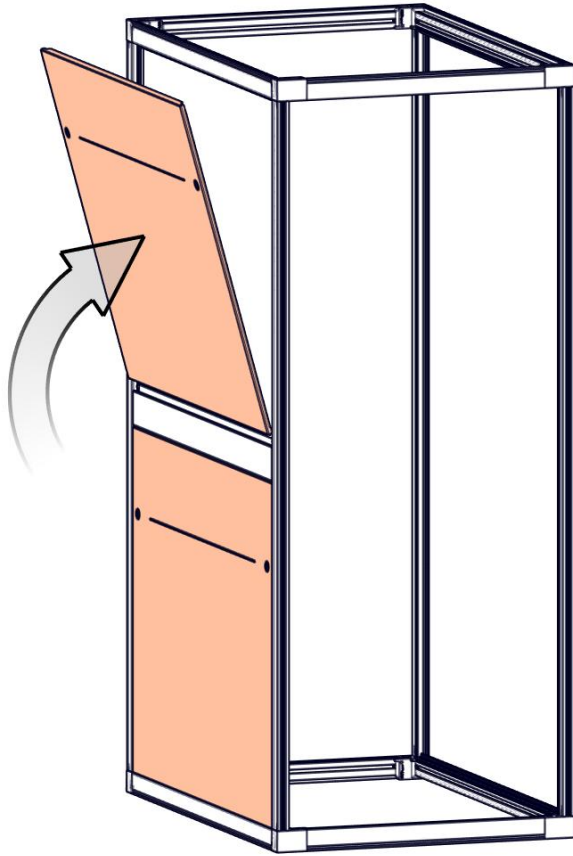
1007Y



T20

Side panel

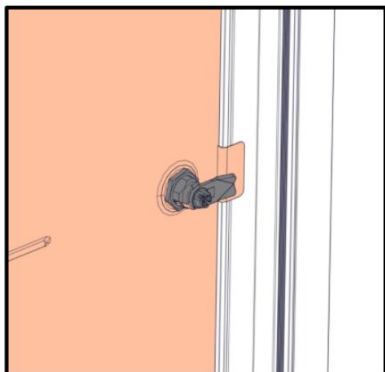
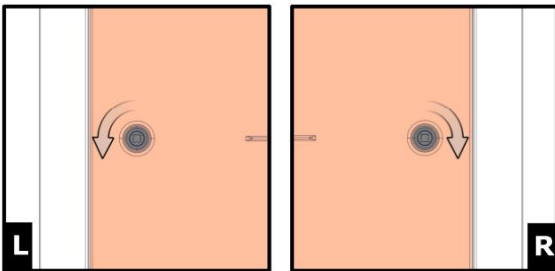
19.1



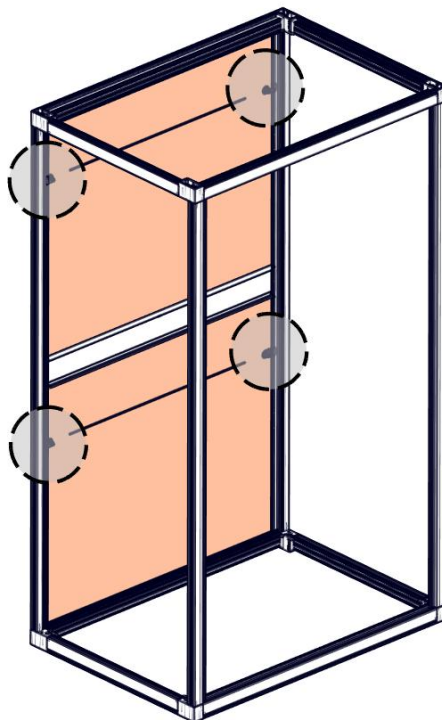
NI-000000-8/001060-0

19.2

Side panel Earthing



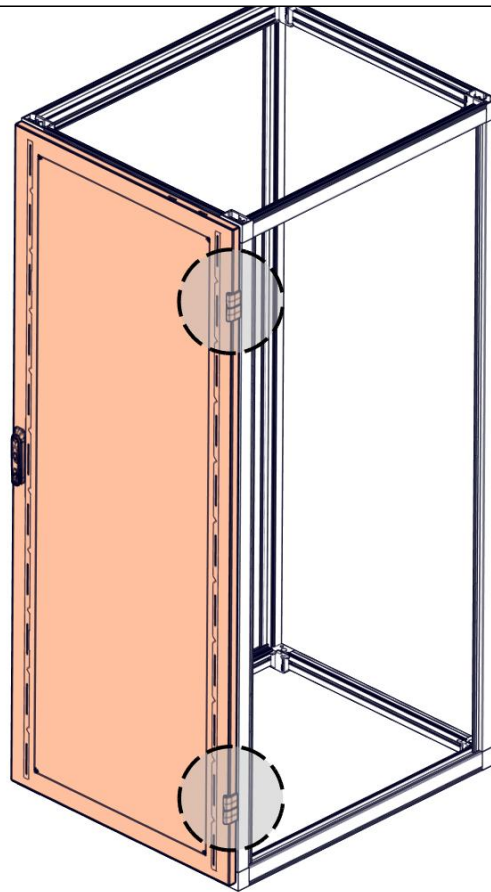
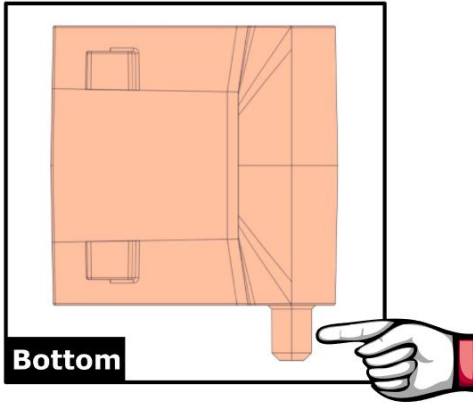
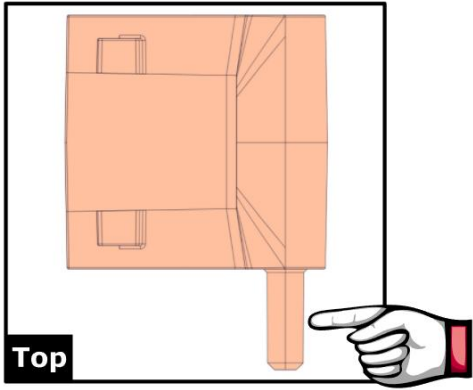
Ensure for earth connection



NI-000000-8/001060-0

Door

21.1

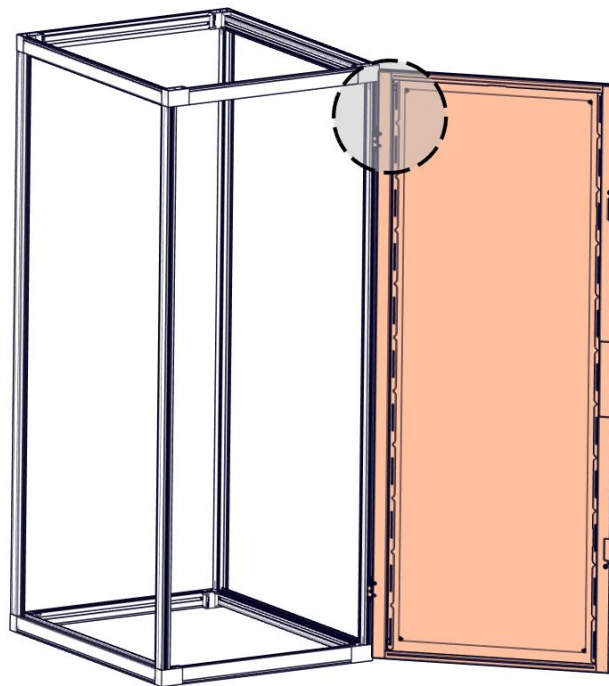


NI-000000-8/001057-2

21.2

Removing door

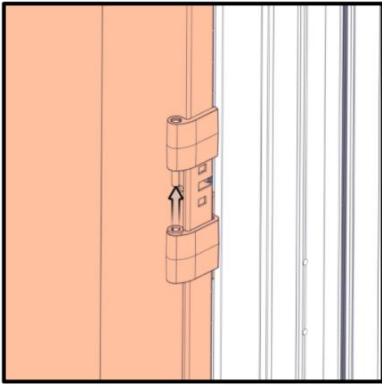
Remove earth cable attachment



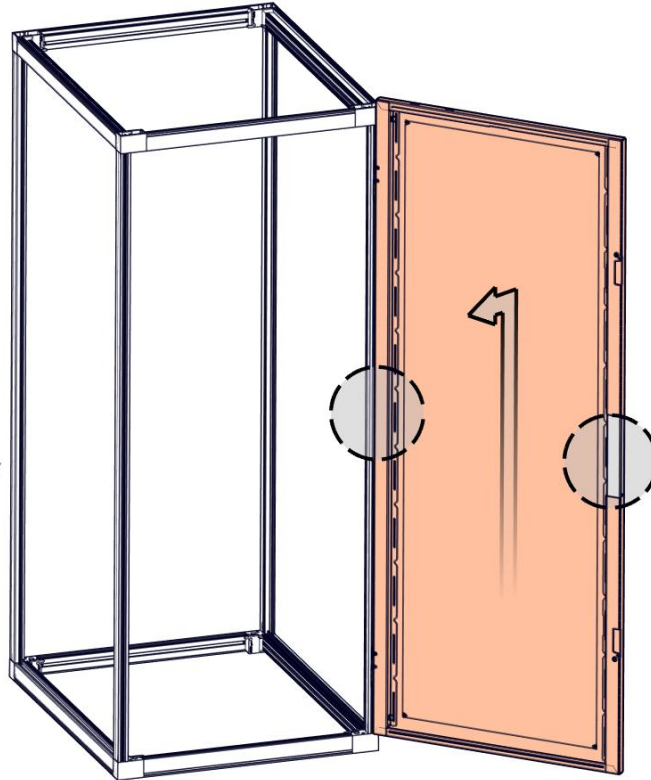
NI-000000-8/001057-2

21.3

Removing door



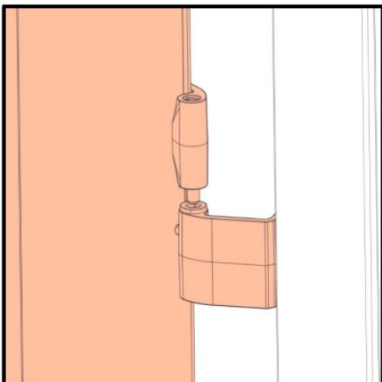
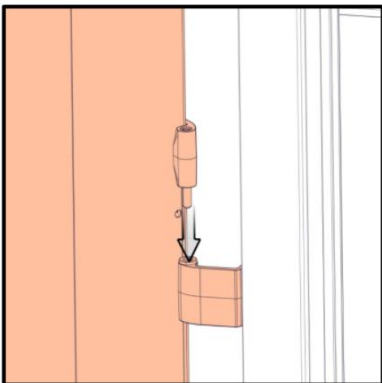
While door is open, grab door, lift up and remove



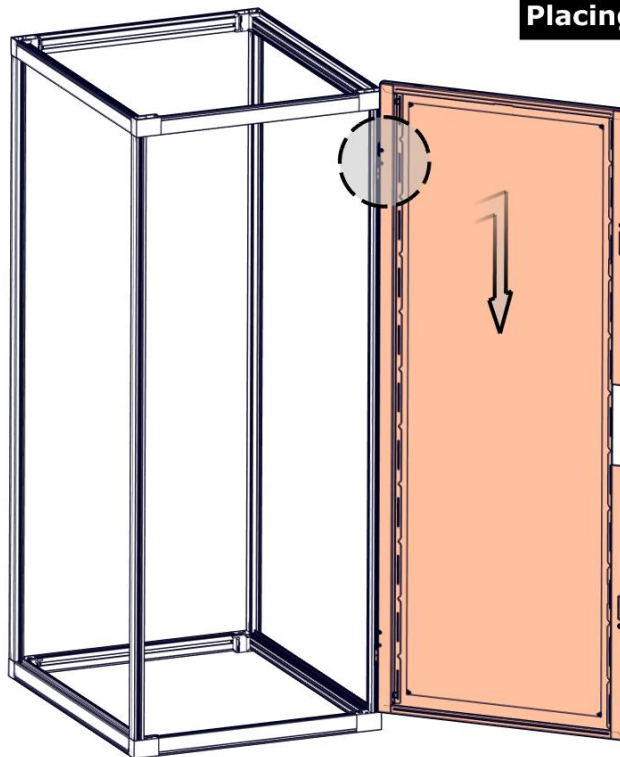
NI-000000-8/001057-2

21.4

Placing door



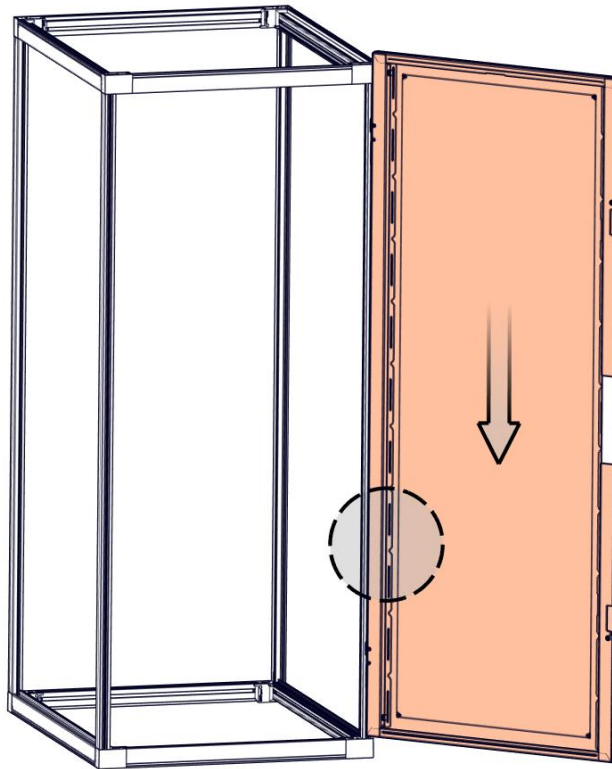
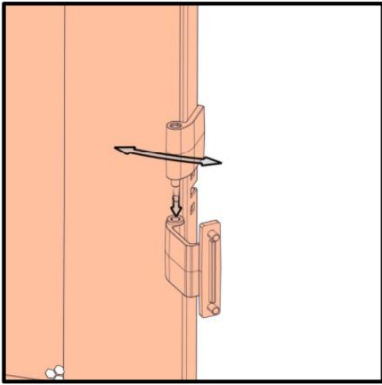
**Place door in the "open" position
Hold door slightly to align lower hinge**



NI-000000-8/001057-2

21.5

Placing door



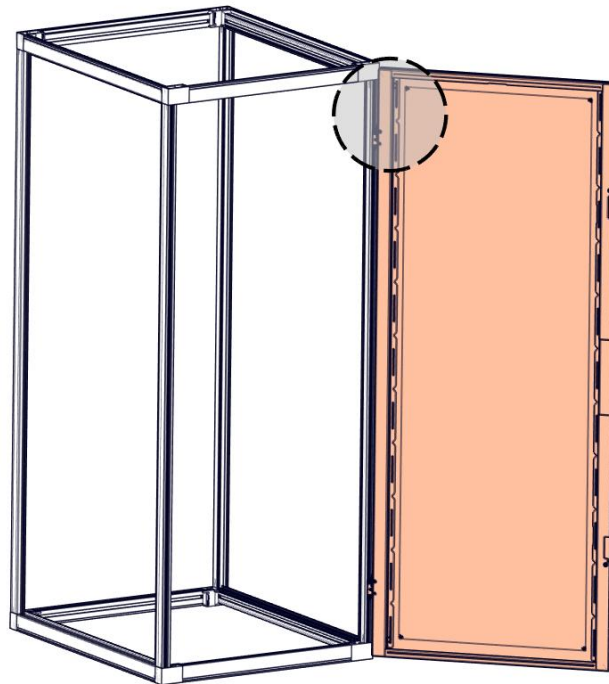
NI-000000-8/001057-2

21.6



Placing door

Reattach earth cable



NI-000000-8/001057-2

Changing hinge direction

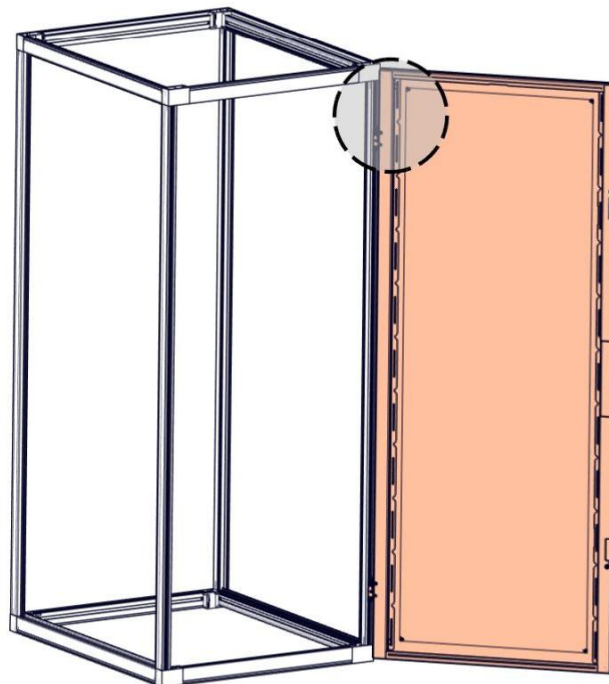
Order new hinge set

- A0051-000001-000-1 Hinge left (2 pcs) $\leq 47U$**
- A0051-000002-000-1 Hinge left (3 pcs) $> 47U$**
- A0051-000003-000-1 Hinge right (2 pcs) $\leq 47U$**
- A0051-000004-000-1 Hinge right (3 pcs) $> 47U$**

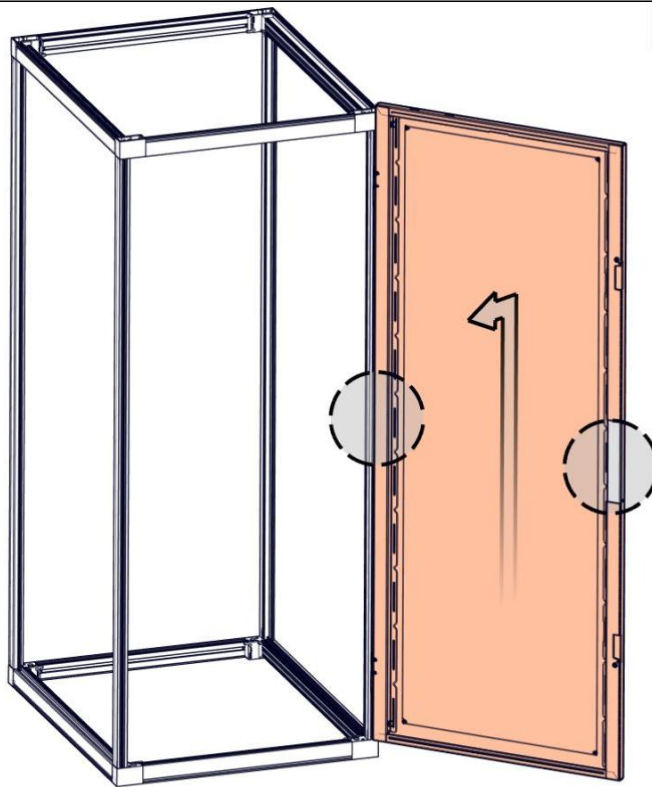
NI-000000-8/01/059-4

Removing door

Remove earth cable attachment



NI-000000-8/01/059-4



While door is open, grab door, lift up and remove

NI-000000-8/001059-4

Remove the logo plate carefully, using a flathead screwdriver (size 4 -)

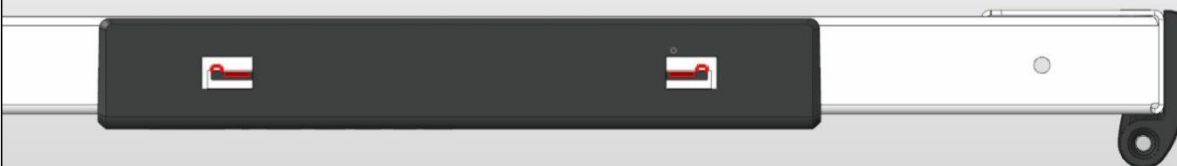
Sliding it against the surfaces marked red in the picture.

This will cause the label plate to be loose, enabling the possibility of sliding it upwards (towards the user as seen on the picture).

Keep the logo plate for later use



3 mm



NI-000000-8/001059-4

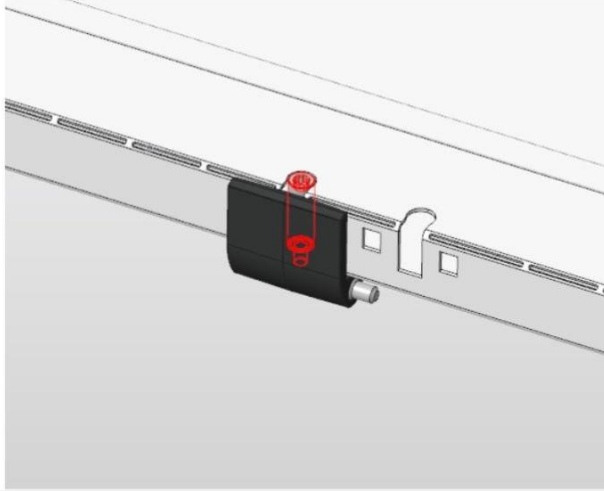


Unscrew the hinge-door parts (T25), do this for both or all three parts, note the position (left or right) in which it is attached

The image shows it being placed left, which means the door is now right-hinged.

Also notice the long pin at the top and the short pin at the bottom.

Remove the hinge parts, they will not be needed anymore. The screw will be re-used, keep these separate (red in the image).



NI-000000-8/001059-4

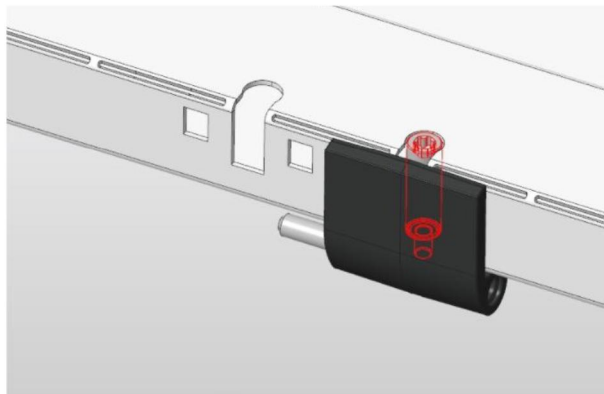
Place the new hinge parts (A0051-00000* numbers) as follows:

The long pin version should be near the short pin version's old position.

The short pin version should be near the long pin's old location.

Meaning the long pin should be mounted near the new top of the door.

The short pin should be mounted near the bottom position of the new door. If three hinges are used, the middle hinge should have a short pin



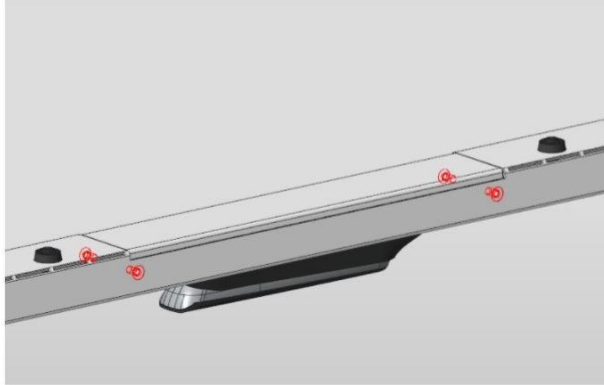
Notice the right cutout is used. The left cutout (formerly used) is now open. Also notice a long pin is placed near where the short pin version was.

NI-000000-8/001059-4



T25

Unscrew the locking-mechanism cover behind the swivel handle



NI-000000-8/001059-4



PH-2

remove the 3 screws shown in the image, whilst holding the swivel handle, keeping it from potentially falling.

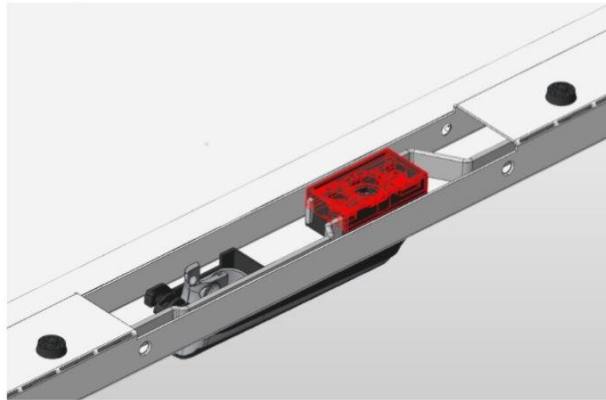
The outer screws keep the handle attached to the door, the middle screw attaches the handle part to the door.



NI-000000-8/001059-4

The cover of the gearbox snaps loose, open this part, preferably using a small flathead screwdriver between two halves

At the bottom of the gearbox is a predefined space for this.



NI-000000-8/001059-4

Lift the gear (under the cover which was just removed) with both steel rods from the box, so that the rods come free and can slide freely.

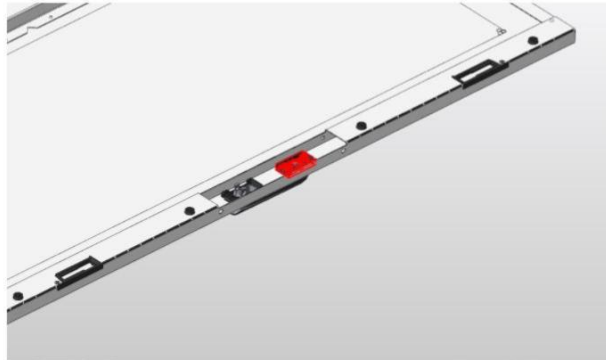
Slide each rod outward until the plastic slider parts (red in the image) can be lifted from their place and out of the door. After this is done the rods can be removed from the door and kept separately.



NI-000000-8/001059-4

22.11

**Remove the leftover part of the gearbox from the door (red in the image)
The swivel handle should be loose completely.**

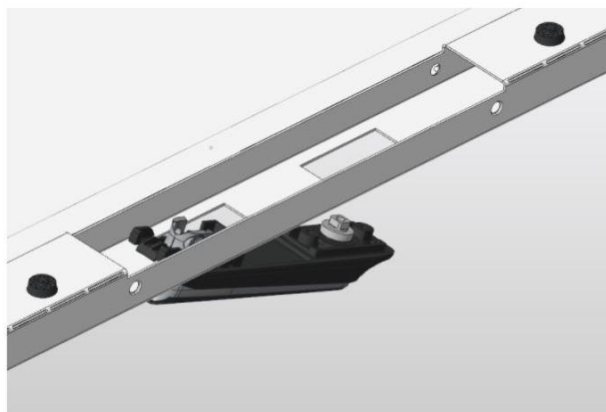


NI-000000-8/001059-4

22.12

**take out the swivel handle as shown in the image, it is easier if the
assembly is kept together whilst doing this:**

**the grip and dish may come loose and will have to be put together
otherwise.**



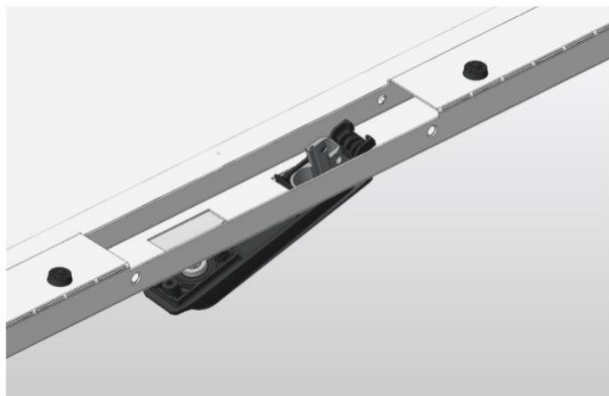
**This is the end of disassembly.
From here on the door can be reassembled upside-down.
Or: left-right sides switched**

NI-000000-8/001059-4

22.13

Place the swivel handle upside down from its old position.

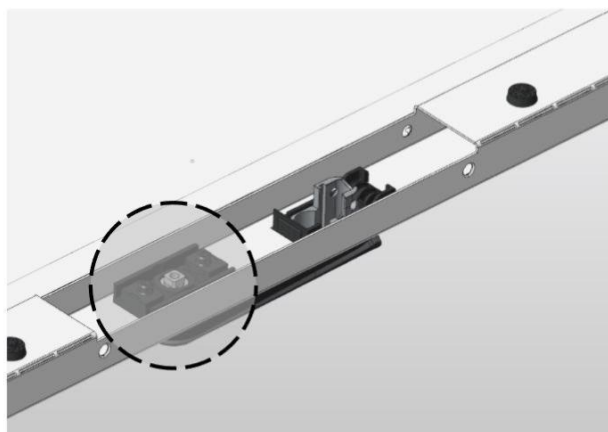
**The movement required is shown and is similar to the way it came out
(note the image shows a right to left-hinged transition)**



NI-000000-8/001059-4

22.14

Place the gearbox-part in the position shown in the image.



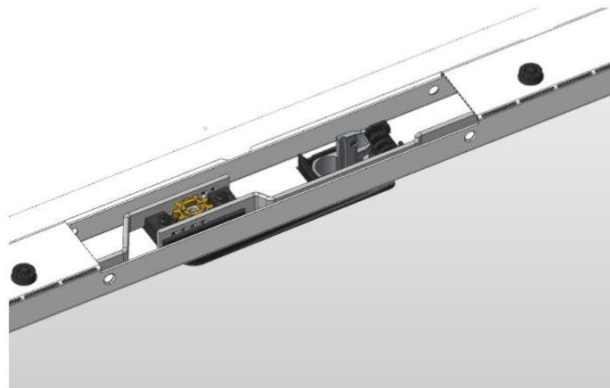
NI-000000-8/001059-4

22.15

Take close notice of the procedure of this step, the position and orientation of the locking rods are critical to the function of the door.

Small mistakes cause the door to cease functioning, meaning it will need to be taken apart again to become fully functional.

For this step you will need the plastic slider parts, both locking rods and the gear.



NI-000000-8/001059-4

22.16

Place rods as described:

The rod with 2 bends should be placed at the desired top position of the door. Placed in the inner groove of the gearbox (towards the middle of the door) and positioned so that it bends toward the outside (edge) of the door.

The rod with 4 bends is the longer and the bottom rod.

It must be placed in the outer groove of the gearbox (farthest from the middle of the door) in a way that the bends cause the rod to go around the swivel handle.

The image on the left shows a correctly positioned left-hinged orientation

The image on the right shows a correctly positioned right-hinged orientation



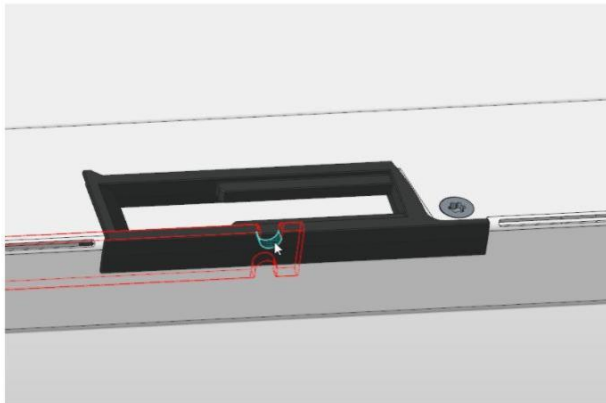
NI-000000-8/001059-4

22.17

**Slide the rods toward the position shown in the image
It is then ready for further installation:**

**The highlighted round shape as seen in the image must be positioned
under the larger opening in the left side of the black part.**

This is necessary for the plastic slider-part to fit in its place on the rod.

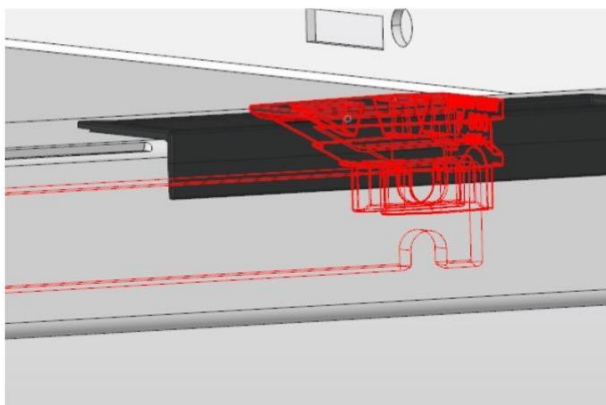


NI-000000-8/001059-4

22.18

**Place the plastic slider-part so that it points inward,
toward the handler.**

**It fits through the larger opening described in the previous step
and should then be pressed onto its rail, sliding outward**



NI-000000-8/001059-4

22.19

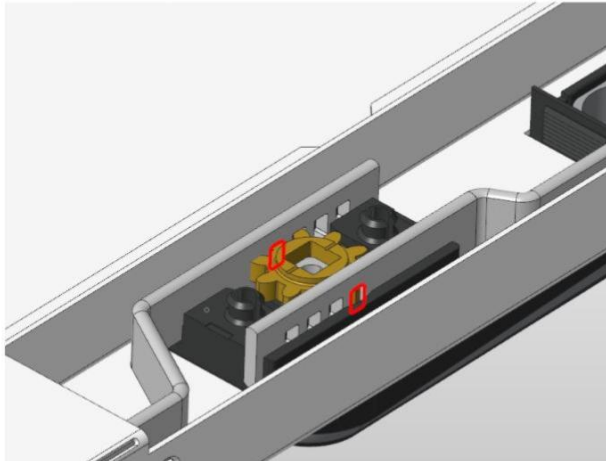
With both rods loose but in their place, and the slider parts attached to the rod and sliding by the rail of the "black part" mentioned earlier. The following step is critical to the functioning of the door and requires extra attention.

Hold the gear closely above the gear-box part, in a way that the line indent is vertical with the direction of the door. Take both rods and place them on the sides of the gear, placing the outermost hole (red lines in the image) on the side teeth of the gear.

The plastic slider part must stay on its rail while doing this.

Place the components into the gear-box part as shown.

Notice the square hole inside the gear fits around the swivel handle metal part.



NI-000000-8/001059-4

22.20

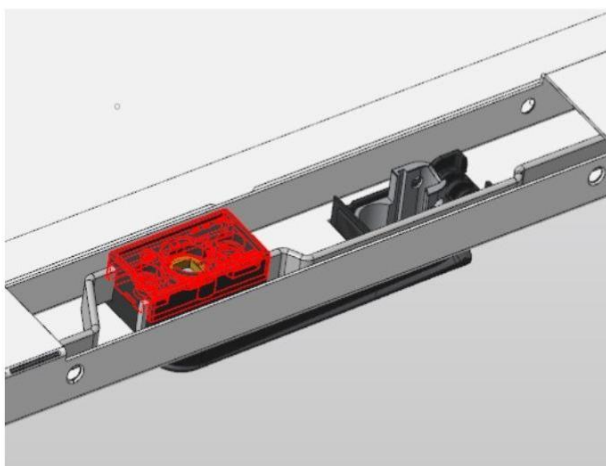
Place the cover of the gearbox back.

Be aware that the swivel handle grip may still come loose at any time.

Place it back in it's right orientation if it comes loose anywhere.

The line indent in the gear part is visible after each step and should be in line with the handle part.

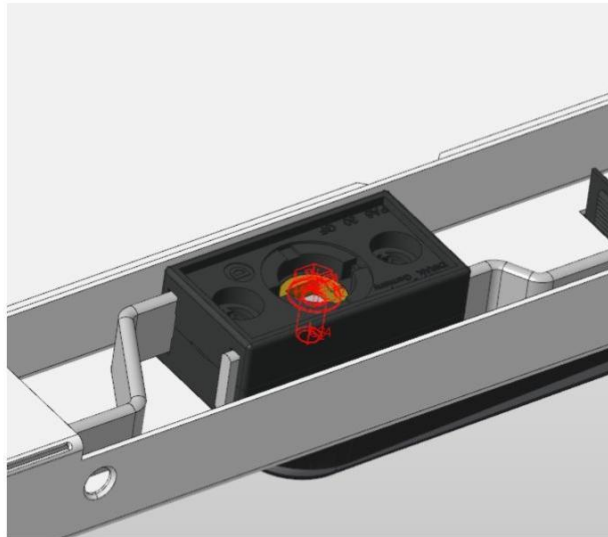
The gearbox part (red) should snap into place



NI-000000-8/001059-4

22.21

Place the middle screw of the swivel handle back in its place to stop the handle from falling out of place (highlighted part in the image).

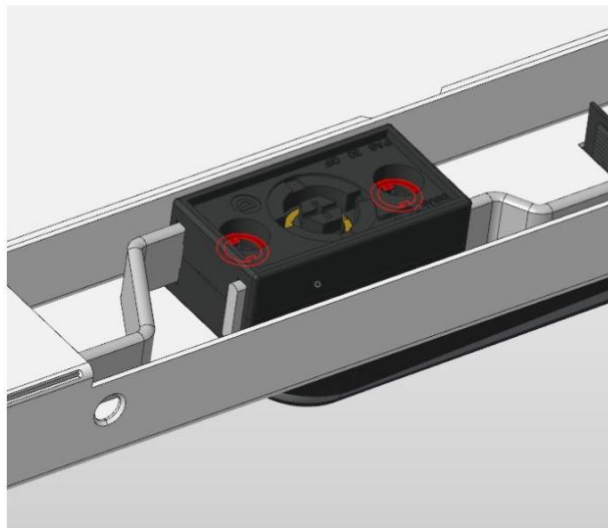


NI-000000-8/001059-4

22.22

Place back both screws in the holes highlighted in the image.

This is necessary to keep the swivel handle assembly attached to the door



NI-000000-8/001059-4

22.23

Check if the door is fully functional.

Close the door using the handle cover as shown

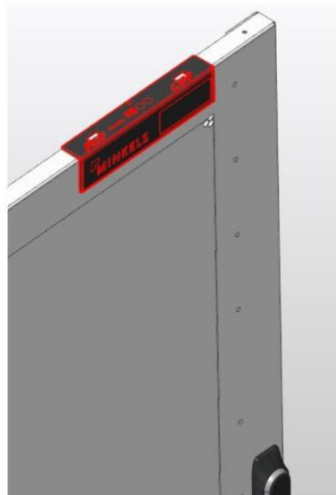


NI-000000-8/001059-4

22.24

place the logo plate on the new top of the door.

The door is now ready



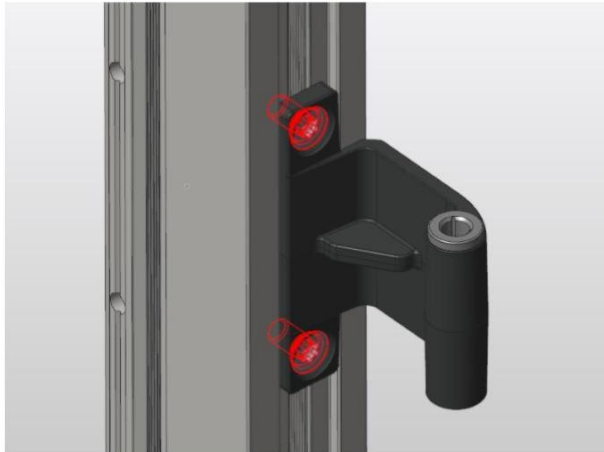
NI-000000-8/001059-4

22.25



T25

Remove the screws that hold the frame part of the hinge from the frame



NI-000000-8/001059-4

22.26

Remove the plastic bus part from the metal hinge frame-part



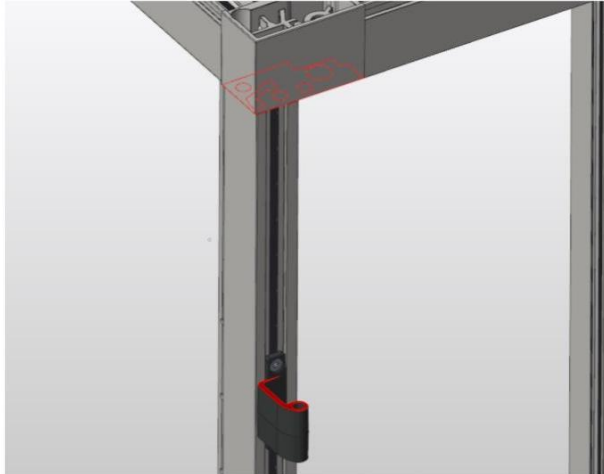
NI-000000-8/001059-4

22.27



T25

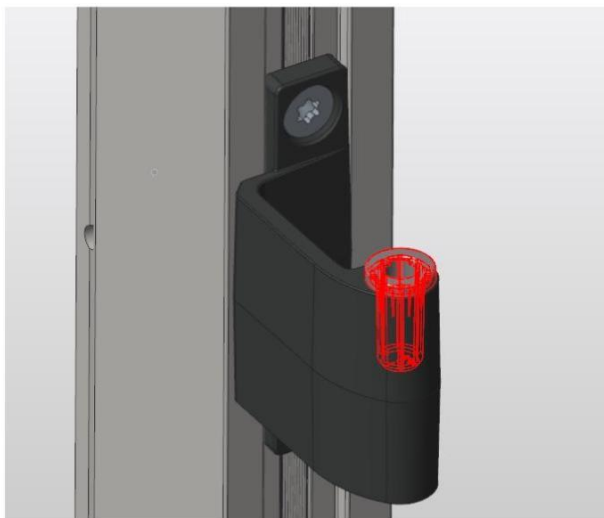
**Attach the upper hinge frame part to the frame.
The distance between the red surfaces on the image should be 179mm**



NI-000000-8/001059-4

22.28

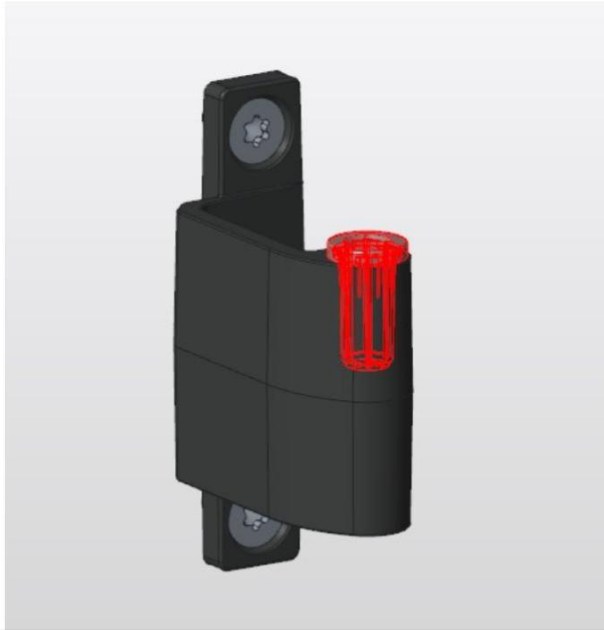
Place the plastic bus back into the top of the hinge-frame part as shown



NI-000000-8/001059-4

22.29

**Place the bus in the bottom hinge frame part as shown.
Keep the part with its screws nearby**



NI-000000-8/001059-4

22.30

Hang the door from the top hinge, which is attached to the frame.

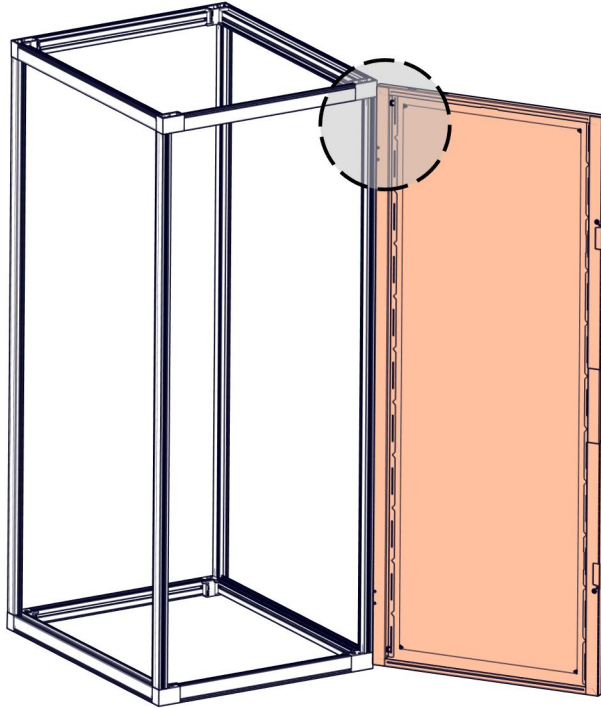
While holding the door in place, slide the bottom hinge frame part (shown in the image above) toward the lower hinge so that the pin falls into the bus completely.

Mark the position of the bottom hinge-frame part



NI-000000-8/001059-4

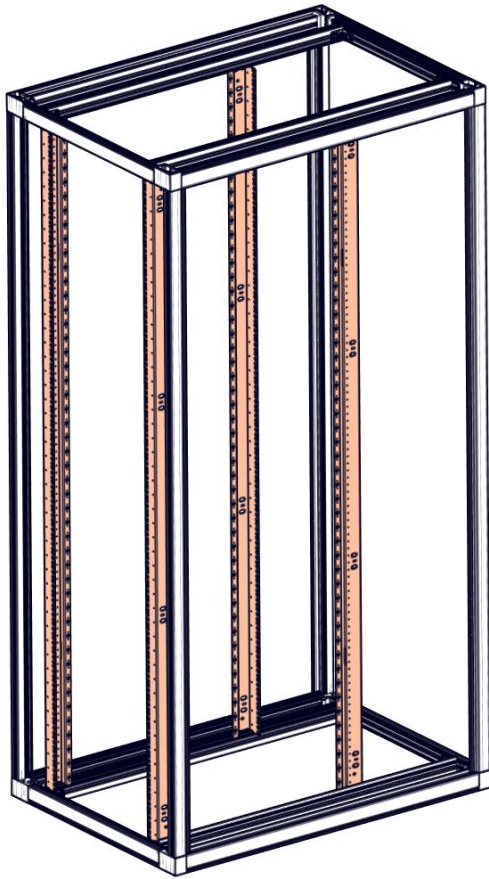
Re-attach earth cable



NI-000000-8/001059-4

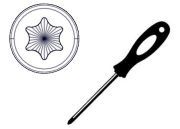
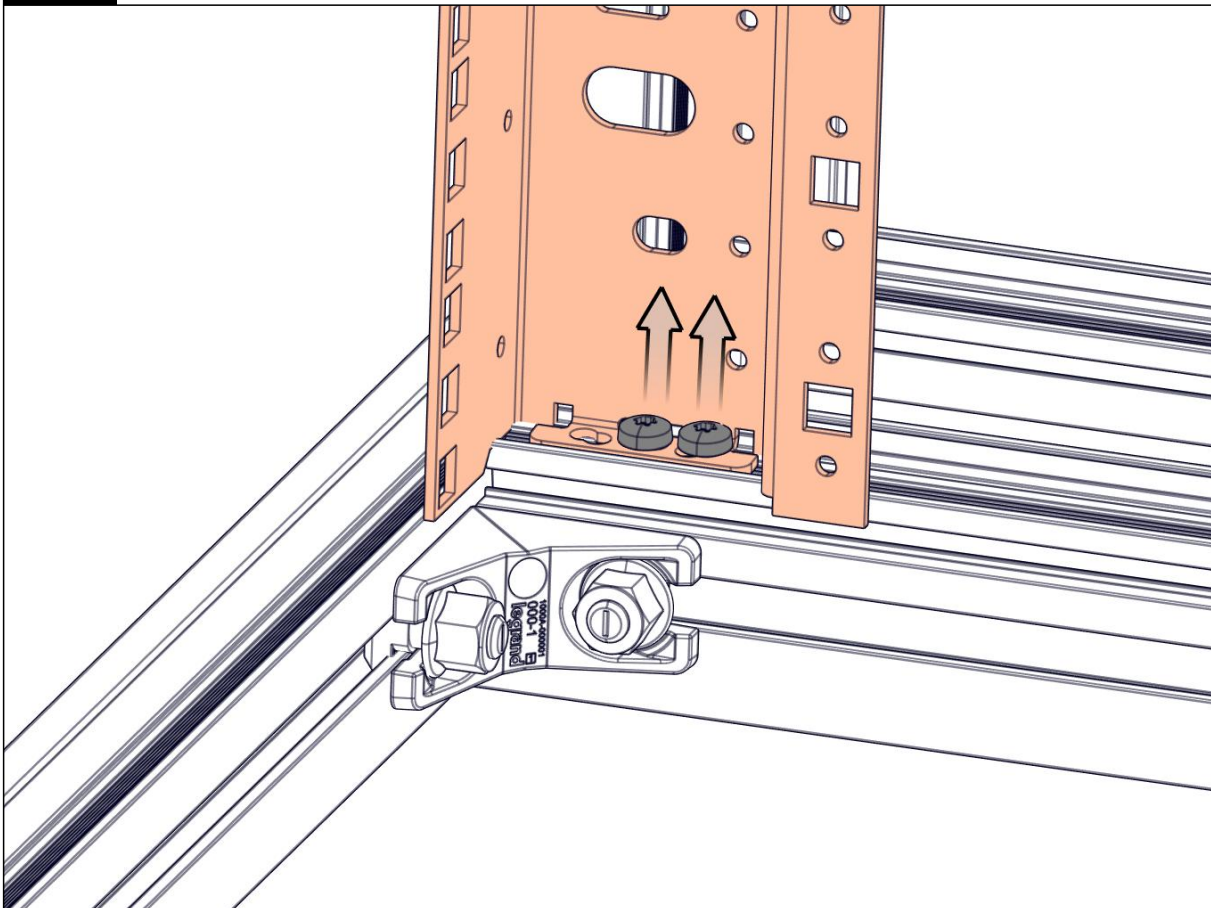
Moving VMR

24.1



NI-000000-8/001061-0

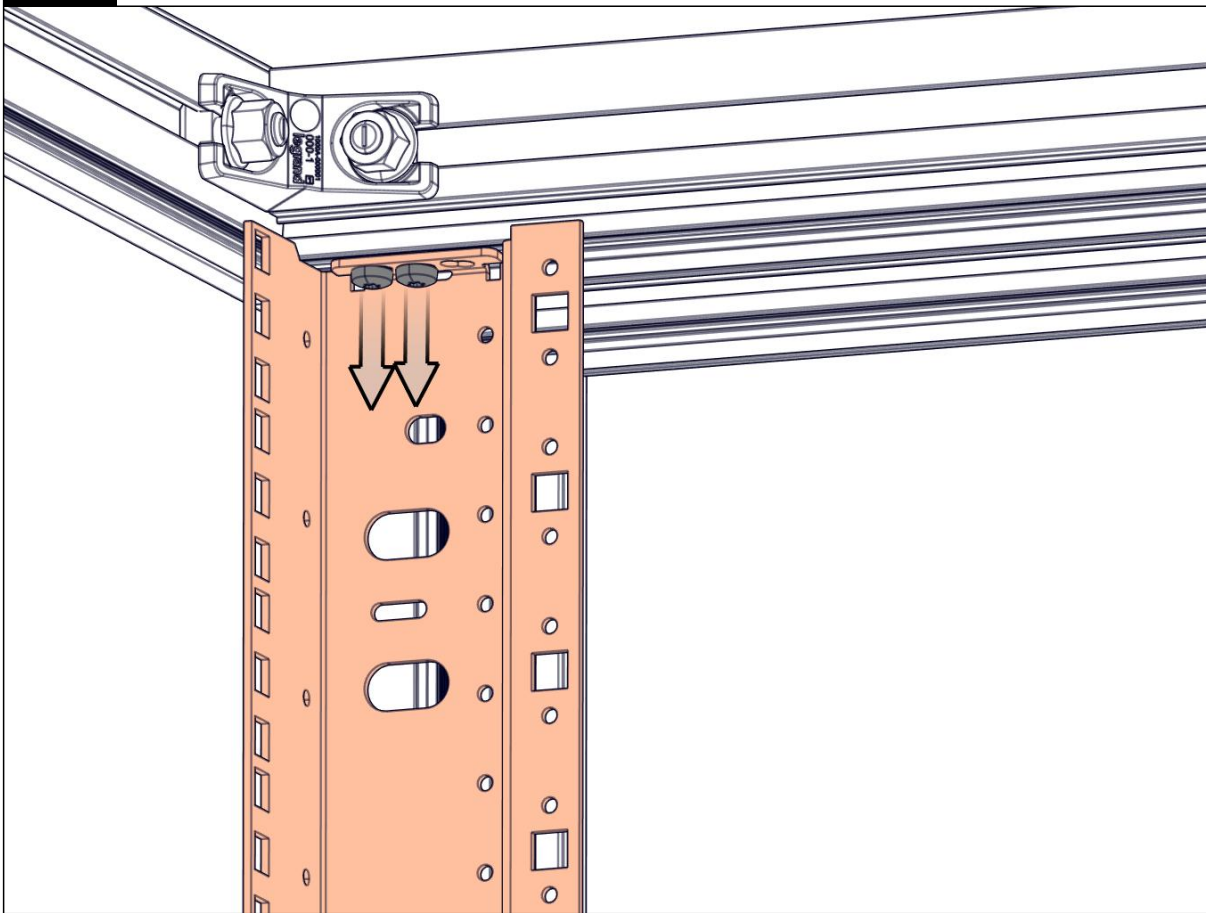
24.2



T25

NI-000000-8/001061-0

24.3



T25

NI-000000-8/001061-0

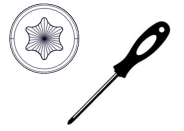
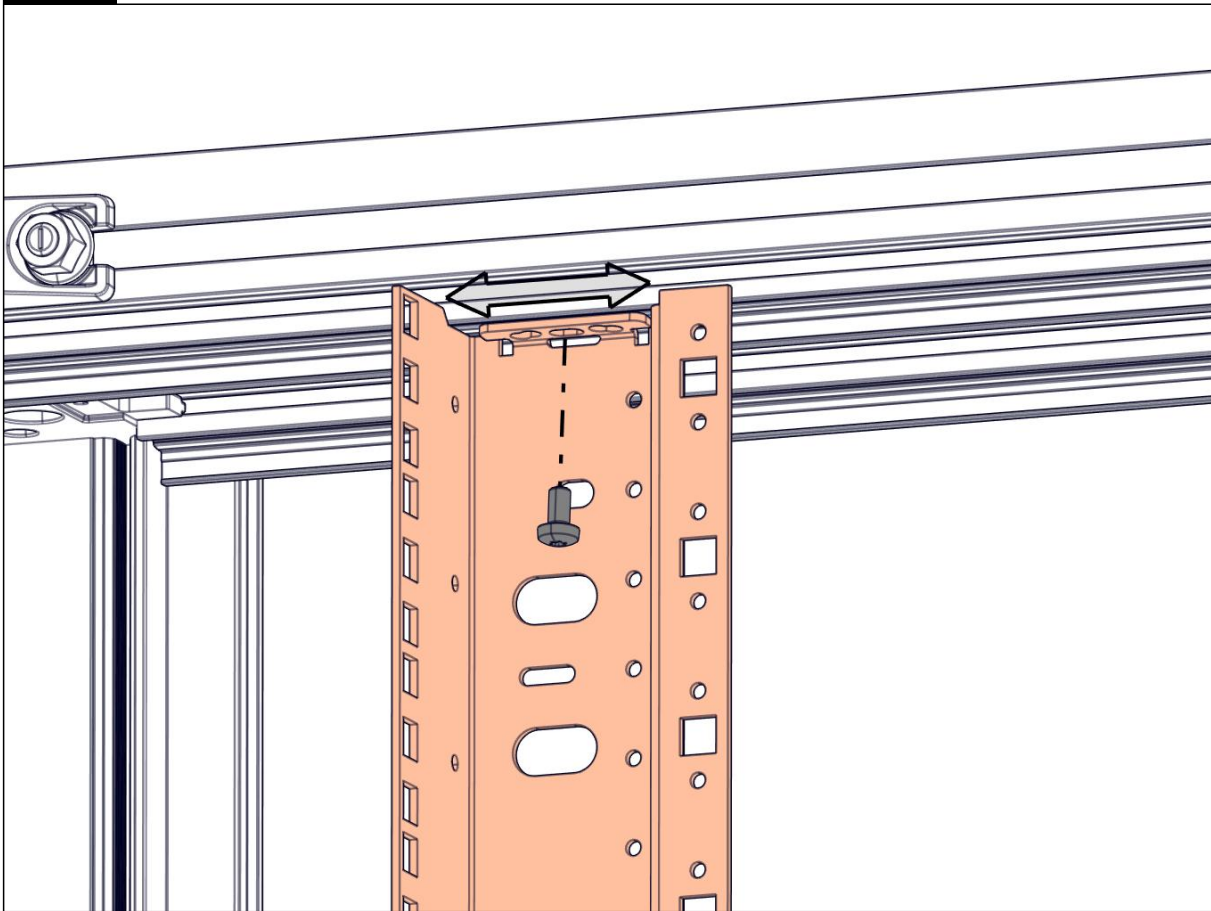
24.4



T25

NI-000000-8/001061-0

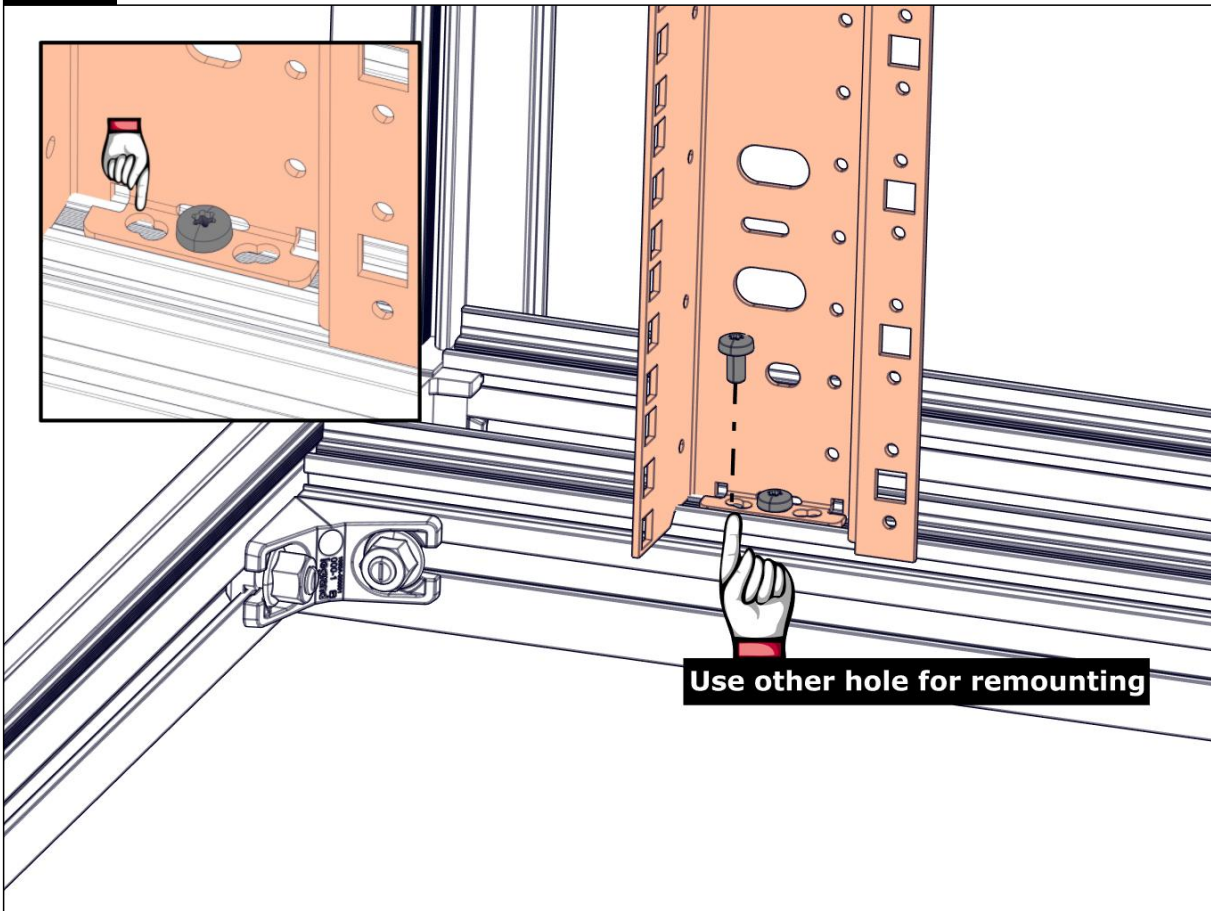
24.5



T25

NI-000000-8/001061-0

24.6

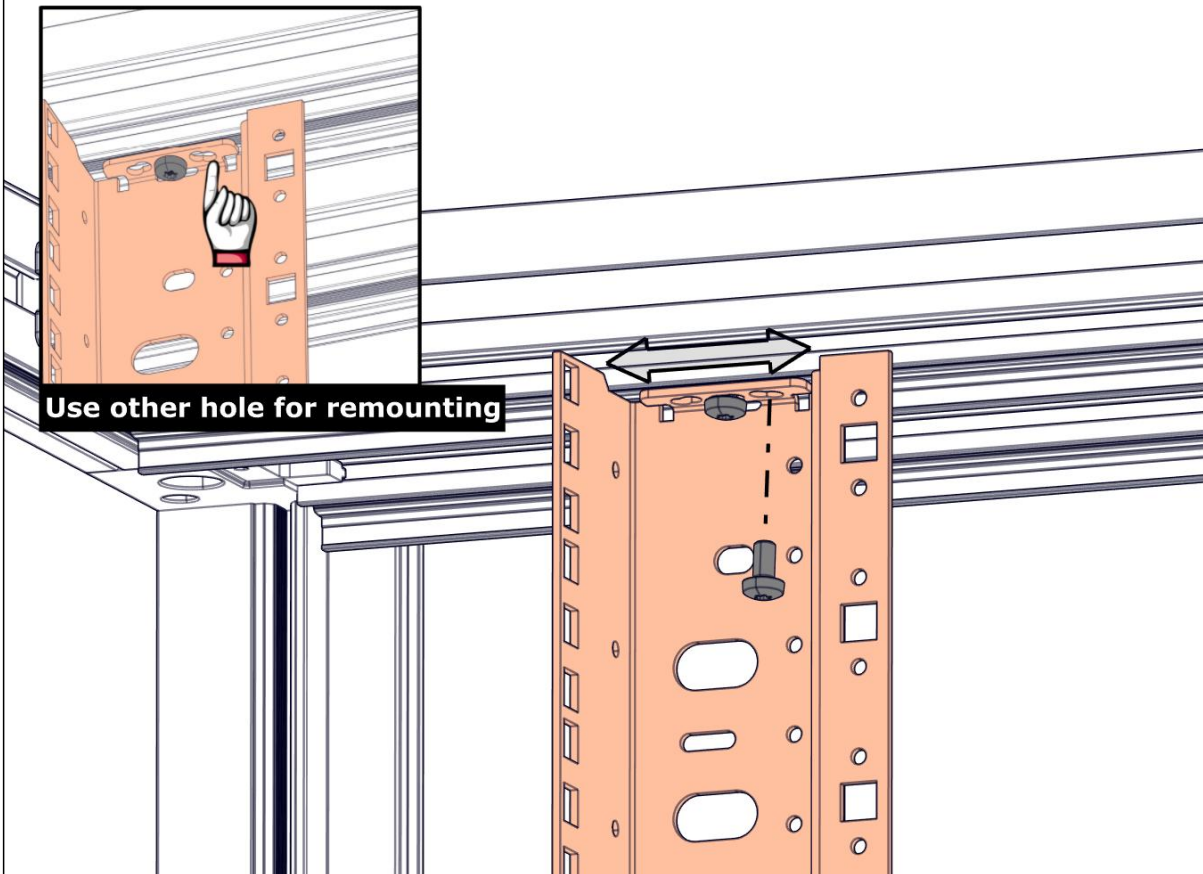


T25

NI-000000-8/001061-0



T25



Use other hole for remounting

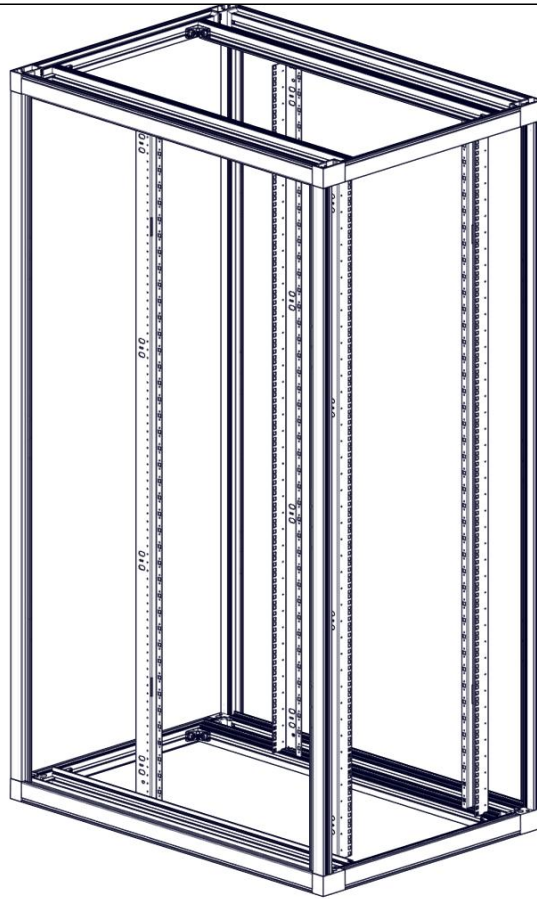
NI-000000-8/001061-0

Additional data

26.1

**Cabinet can hold a static load
of up to 1588kg / 3500lbs.**

According to IEC-61587-1

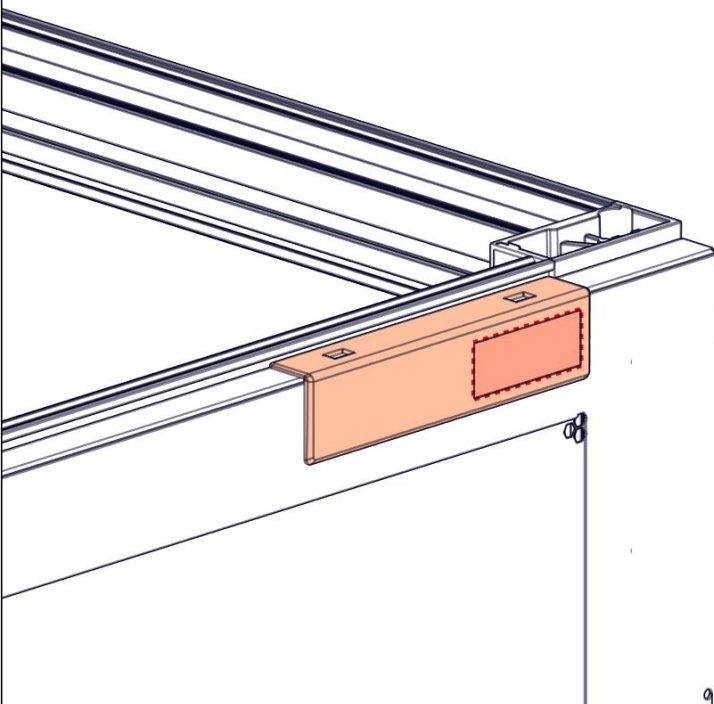


NI-000000-8/001063-1

26.2

**Avery Dennison MPI 2800 HOP
sticker type**

Data sheet available upon request



NI-000000-8/001063-1

Notes



A brand of  **legrand**

Minkels Nederland

Eisenhowerweg 12

Postbus 28

5460 AA Veghel

Nederland

email: info@minkels.com

tel: +31 (0)413 311 100